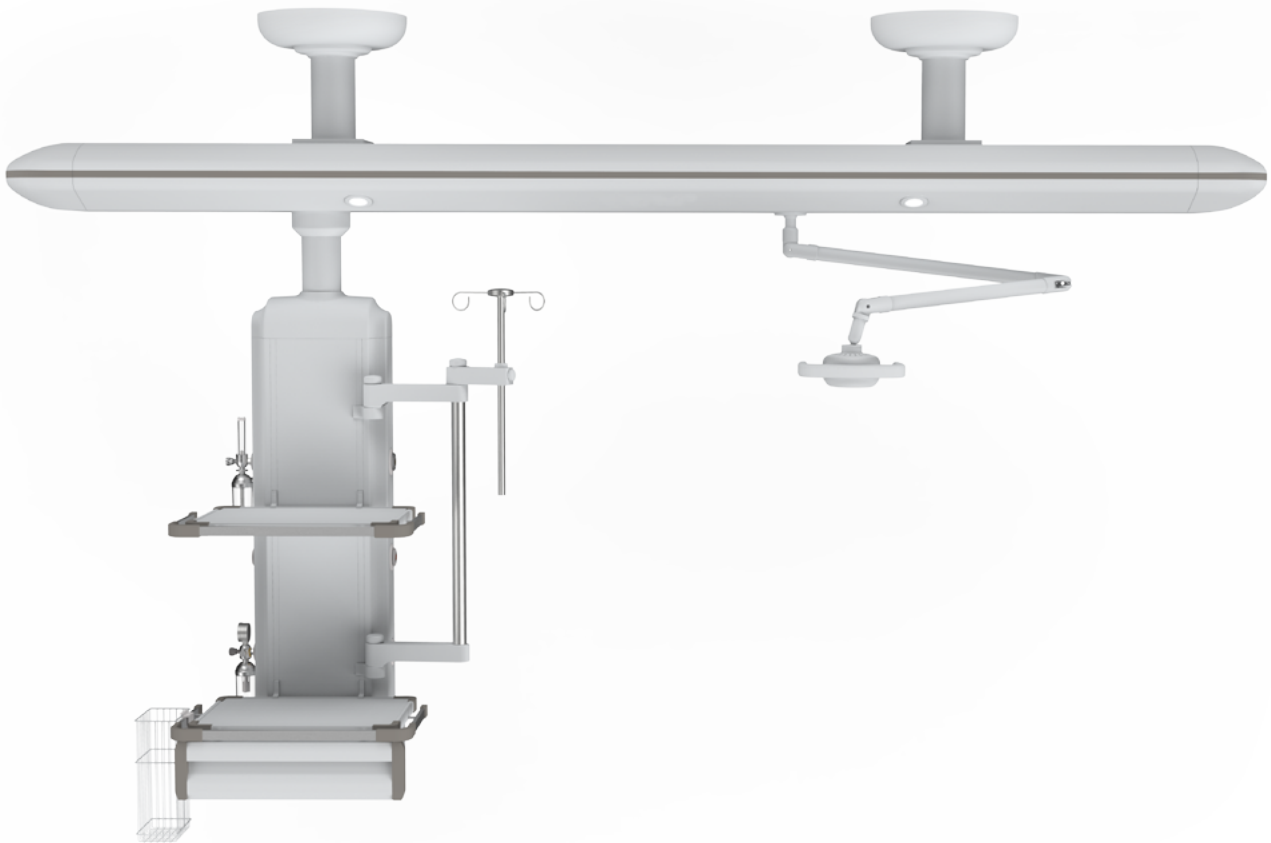


SK-PQ002

MEDICAL BRIDGE CEILING PENDANT
(INTEGRATION OF DRY AND WET AREAS)



SK-PQ002

FEATURES AND HIGHLIGHTS

The medical bridge ceiling pendant (Integration of dry and wet areas) is based on the separation of dry and wet, the two areas are combined into one, suitable for NICU and small nursing areas.

Product Application: Suitable for ICU, NICU, PICU, EICU room.

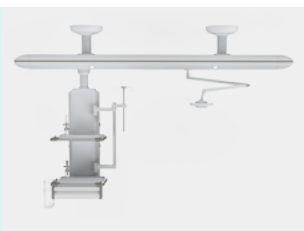
Optional Accessories:

- * Net basket - Stainless steel net basket
- * We manufacturer and provide different standard of medical gas outlet: British Standard, American standard, German standard, French standard, Japanese Standard, etc.
- * Different standard of medical gas outlets & adapters: British standard, French standard, German standard, Diss, Ohmeda, Chemetron, and etc.
- * Inhalers - All kinds of oxygen inhalers (disposable, simple, external hanging, etc.)
- * Negative pressure regulating valve
- * Waste liquid collection device (external hanging type)
- * The medical pendant is equipped with individual IV pole, built in interface of strong power & weak electronic. (Optional cantilever working lamp, monitor holder and surveillance camera in the place of IV pole)

Material and Process

Appearance Design

The design of bridge hanging style saves ground space; the whole bridge pendant is fully sealed, no sharp angle to prevent the impact.



Painting

Imported plastic powder, electrostatic painting process, painting thickness 0.12mm, brightness 60°, paint can resist 50kg impact.



Welding

Panasonic Robot ensure 360° full smooth welding.



Material

The tensile strength of aluminum alloy frame is more than 295MPa, some connecting parts are made of cast iron ≥ 200 MPa, and the net load is more than 300kg; one-off extrusion molding, and the surface undergoes the primary oxidation treatment.



Function

Integration of Dry and Wet Areas

One medical pendant is equipped with medical gas. One part of the medical gas is located in the upper and lower areas, the other part of the medical gas is located in the left and right areas. The design is suitable for small nursing areas with two beds.



Electric Translation System

The function column built-in Jiechang motor of model JC35D1, with SAA/TUV/PSE/CE/UL/KC certificates, ensure safety. Motor noise under 48dB, lifetime 20,000 times, electric translation distance 300mm; the horizontal translation in dry and wet areas, accurate positioning without drift, meeting requirements of different nursing.



Suspension System

Medical pendant rotation angle 340°, built-in rotation limit device to prevent drift.



Configuration

Bridge Configuration

Two fixed LED lightings, 1 set of double cantilever folding working lighting; one power supply and one gas total valve.



Utility Model Patent

Negative pressure terminal obtained the Utility Model Patent CN202478404U.

专利内容由知识产权出版社提供

专利名称: 负压吸引气路终端

专利类型: 实用新型专利

发明人: 贾天华

申请号: CN202120007867.3

申请日: 2021-03-05

公开号: CN202478404U

公开日: 2021-10-10



摘要: 本实用新型公开一种负压吸引气路终端,包括终端底座,在终端底座上固定有定位销轴,在终端底座固定有定位销轴,在终端底座上固定有定位销轴,在终端底座上固定有定位销轴。

IV Pole with Four Hooks

The length of IV pole is 600mm, can be retractable, with four hooks, single hook can bear 4 kg.



Drawer

Silent self-priming track, no damage after 10,000 times push-pull tests, and the handle position is integrally formed by pressing with mould.



Instrument Platform

The size of the table top is 450*500mm, and the height of table surface can be adjusted. The table top is made of aluminum alloy panel with iron square tube inside, can bear ≥ 50 KG; with external aluminum alloy hanging frame.



Medical Gas

It is equipped with medical gas on both sides of the cabinet and column. The following configurations can be customized,
1. The number of medical gas
2. Interface standard and position
Gas port adopts secondary seal, three states (on, off, pull), support maintenance operations while it is working.



Equipotential Socket

Reduce the potential difference between indirect contact voltage and different metal parts.





CONSTANT INNOVATION



Design



Research



Manufacturing



Maintenance



Service



WORLDWIDE BRANCHES

USA

Saikang Medical Technology, Inc.
17800 Castleton St Ste 180,
City of Industry, 91748, California.
Tel.: +1 949648 2776

United Kingdom

UK Healthward International Ltd.
Dept. 111, 196 High Road Wood
Green, N22 8HH, London.
Tel.: +44 2032399738

Russia

Saikang Medical Russia LLC
Truda 174,
454080 Chelyabinsk.
Tel.: +7 (351) 214 5566 / 8811 / 1516

East Africa

Saikang Medical Solutions Ltd.
Viraj Complex Unit 3, Mombasa
Road, P.O. Box 14262-00800, Nairobi.
Kenya.
Tel.: +254 733 704 690

Middle East

Saikang Medical Supplies LLC
X22-S03 England Cluster,
International City, Dubai.
United Arab Emirates.
Tel.: +20 128 8962497

SKSurgitech™
by Saikang Medical

Jiangsu Saikang Medical Equipment Co., Ltd.
STOCK CODE: 870098

📍 No. 35, Lehong Road · Zhangjiagang (Jiangsu) · China
☎️ +86 18021231901 · 🕒 24/7
✉️ export@sksurgitech.com
🌐 www.sksurgitech.com



Company video



General catalogue