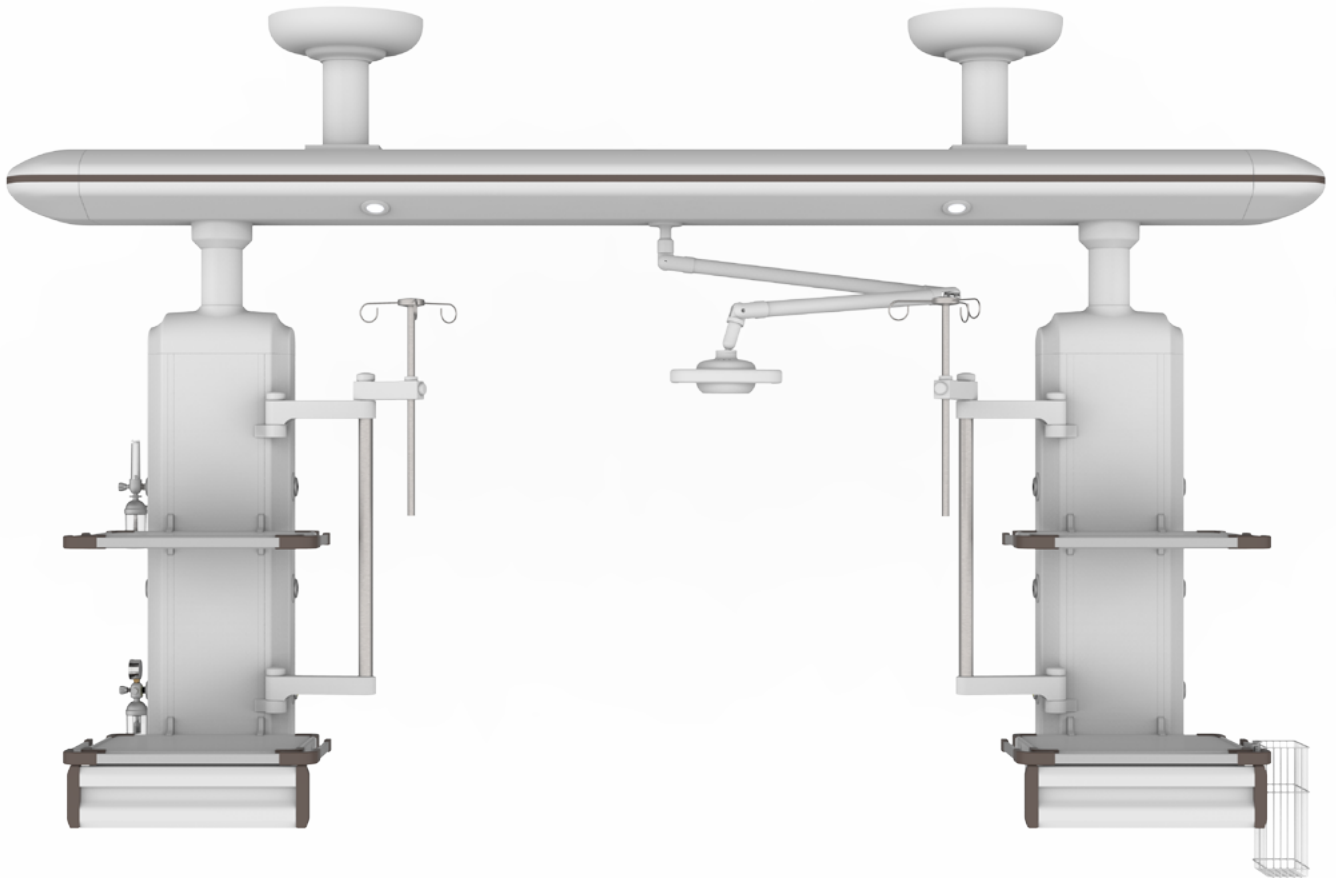


SK-PQ001

MEDICAL BRIDGE CEILING PENDANT
(SEPARATE WET AND DRY AREAS)



SK-PQ001

FEATURES AND HIGHLIGHTS

The ICU medical bridge ceiling pendant(separate wet and dry areas) is a medical rescue auxiliary equipment.
Product Application: Suitable for ICU, NICU, PICU, EICU room.

Features:

- * There are multi-layer instrument platforms in wet (gas) and dry (electric) areas;
- * The height of drawers can be adjusted;
- * With retractable IV pole, with four hooks;
- * The function columns and cabinets built in rotation limit device to prevent the drift.

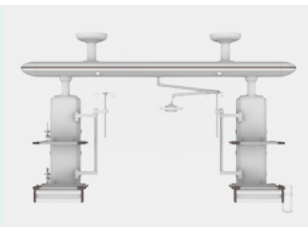
Optional Accessories:

- * Net basket - Stainless steel net basket
- * We manufacturer and provide different standard of medical gas outlet: British Standard, American standard, German standard, French standard, Japanese Standard, etc.
- * Different standard of medical gas outlets & adapters: British standard, French standard, German standard, Diss, Ohmeda, Chemetron, and etc.
- * Inhalers - All kinds of oxygen inhalers (disposable, simple, external hanging, etc.)
- * Negative pressure regulating valve
- * Waste liquid collection device (external hanging type)

Material and Process

Appearance Design

The design of bridge hanging style saves ground space; the whole bridge pendant is fully sealed, no sharp angle to prevent the impact.



Painting

Imported plastic powder, electrostatic painting process, painting thickness 0.12mm, brightness 60°, paint can resist 50kg impact.



Welding

Panasonic Robot ensure 360° full smooth welding.



Material

The tensile strength of aluminum alloy frame is more than 295MPa, some connecting parts are made of cast iron ≥ 200 MPa, and the net load is more than 300kg; one-off extrusion molding, and the surface undergoes the primary oxidation treatment.



Function

Wet (gas) and Dry (electric) Separation Structure

The dry section is equipped with power supply and network ports. The wet section is equipped with infusion pump frame and gas port; gas and electric are separately arranged, prevent electric arc from contacting gas.



Electric Translation System

The function column built-in Jiechang motor of model JC35D1, with SAA/TUV/PSE/CE/UL/KC certificates, ensure safety. Motor noise under 48dB, lifetime 20,000 times, electric translation distance 300mm; the horizontal translation in dry and wet areas, accurate positioning without drift, meeting requirements of different nursing.



Suspension System

Medical pendant rotation angle 340°, built-in rotation limit device to prevent drift.



Configuration

Bridge Configuration

Two fixed LED lightings, 1 set of double cantilever folding working lighting; one power supply and one gas total valve.



Utility Model Patent

Negative pressure terminal obtained the Utility Model Patent CN202478404U.

专利内容由知识产权出版社提供

专利名称: 负压吸引气源终端
专利类型: 实用新型专利
发明人: 贾天华
申请号: CN202120007867.3
申请日: 2021-03-05
公开号: CN202478404U
公开日: 2021-10-10



摘要: 本实用新型公开一种负压吸引气源终端, 包括终端底座, 在终端底座上固定有定位销轴, 在终端底座顶部设有负压吸引气源终端, 在终端底座顶部设有负压吸引气源终端, 在终端底座顶部设有负压吸引气源终端。

IV Pole with Four Hooks

The length of IV pole is 600mm, can be retractable, with four hooks, single hook can bear 4 kg.



Drawer

Silent self-priming track, no damage after 10,000 times push-pull tests, and the handle position is integrally formed by pressing with mould.



Instrument Platform

The size of the table top is 450*500mm, and the height of table surface can be adjusted. The table top is made of aluminum alloy panel with iron square tube inside, can bear ≥50KG; with external aluminum alloy hanging frame.



Medical Gas

It is equipped with medical gas on both sides of the cabinet and column. The following configurations can be customized,
1. The number of medical gas
2. Interface standard and position
Gas port adopts secondary seal, three states (on, off, pull), support maintenance operations while it is working.



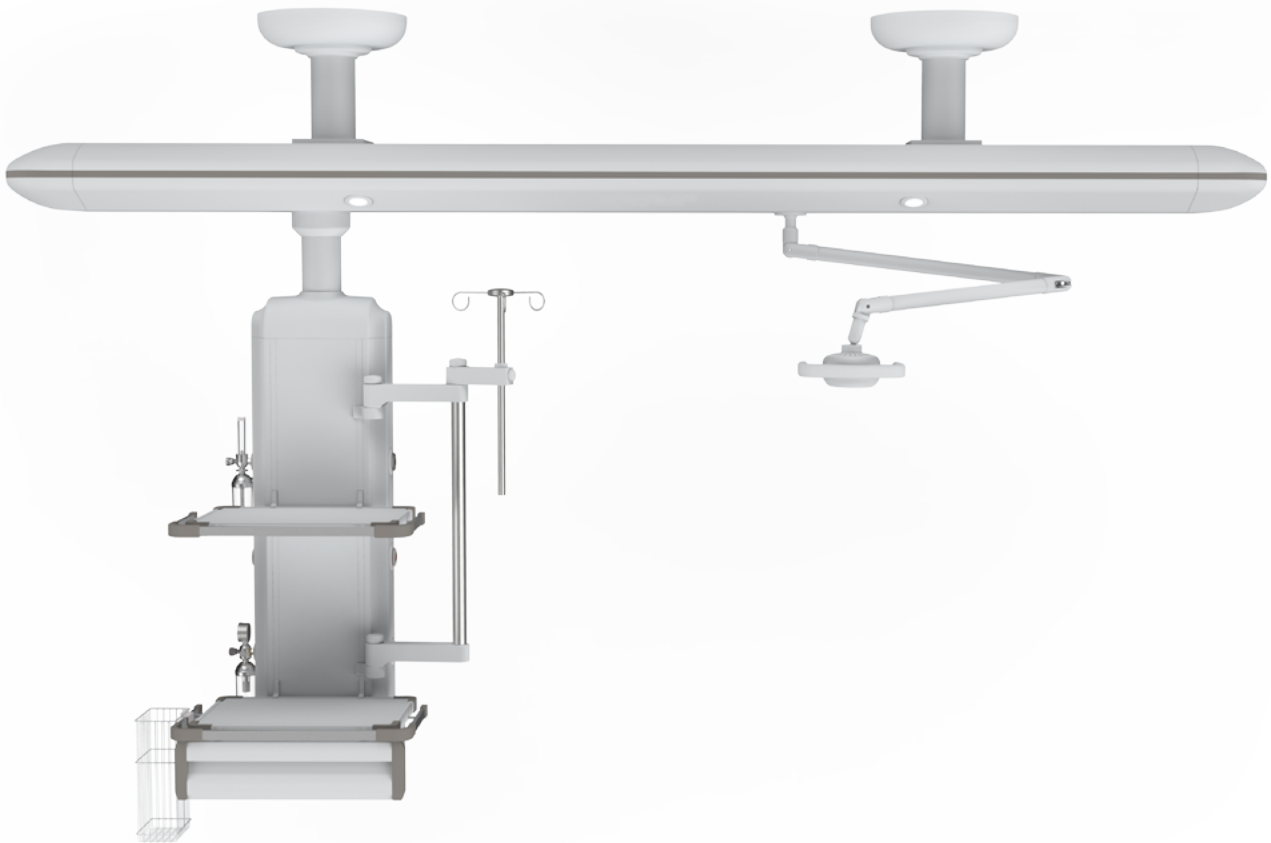
Equipotential Socket

Reduce the potential difference between indirect contact voltage and different metal parts.



SK-PQ002

MEDICAL BRIDGE CEILING PENDANT
(INTEGRATION OF DRY AND WET AREAS)



SK-PQ002

FEATURES AND HIGHLIGHTS

The medical bridge ceiling pendant (Integration of dry and wet areas) is based on the separation of dry and wet, the two areas are combined into one, suitable for NICU and small nursing areas.

Product Application: Suitable for ICU, NICU, PICU, EICU room.

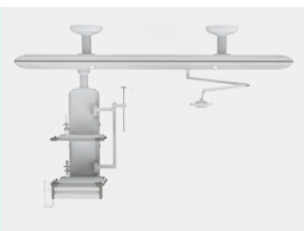
Optional Accessories:

- * Net basket - Stainless steel net basket
- * We manufacturer and provide different standard of medical gas outlet: British Standard, American standard, German standard, French standard, Japanese Standard, etc.
- * Different standard of medical gas outlets & adapters: British standard, French standard, German standard, Diss, Ohmeda, Chemetron, and etc.
- * Inhalers - All kinds of oxygen inhalers (disposable, simple, external hanging, etc.)
- * Negative pressure regulating valve
- * Waste liquid collection device (external hanging type)
- * The medical pendant is equipped with individual IV pole, built in interface of strong power & weak electronic. (Optional cantilever working lamp, monitor holder and surveillance camera in the place of IV pole)

Material and Process

Appearance Design

The design of bridge hanging style saves ground space; the whole bridge pendant is fully sealed, no sharp angle to prevent the impact.



Painting

Imported plastic powder, electrostatic painting process, painting thickness 0.12mm, brightness 60°, paint can resist 50kg impact.



Welding

Panasonic Robot ensure 360° full smooth welding.



Material

The tensile strength of aluminum alloy frame is more than 295MPa, some connecting parts are made of cast iron ≥ 200 MPa, and the net load is more than 300kg; one-off extrusion molding, and the surface undergoes the primary oxidation treatment.



Function

Integration of Dry and Wet Areas

One medical pendant is equipped with medical gas. One part of the medical gas is located in the upper and lower areas, the other part of the medical gas is located in the left and right areas. The design is suitable for small nursing areas with two beds.



Electric Translation System

The function column built-in Jiechang motor of model JC35D1, with SAA/TUV/PSE/CE/UL/KC certificates, ensure safety. Motor noise under 48dB, lifetime 20,000 times, electric translation distance 300mm; the horizontal translation in dry and wet areas, accurate positioning without drift, meeting requirements of different nursing.



Suspension System

Medical pendant rotation angle 340°, built-in rotation limit device to prevent drift.



Configuration

Bridge Configuration

Two fixed LED lightings, 1 set of double cantilever folding working lighting; one power supply and one gas total valve.



Utility Model Patent

Negative pressure terminal obtained the Utility Model Patent CN202478404U.

专利内容由知识产权出版社提供

专利名称: 负压吸引气源终端
专利类型: 实用新型专利
发明人: 贾天华
申请号: CN2021220078607.3
申请日: 2021-20-05
公开号: CN202478404U
公开日: 2021-10-10



摘要: 本实用新型涉及一种负压吸引气源终端,包括终端底座,在终端底座上固定有定位销轴,在终端底座固定上设有定位销轴,在终端底座固定上设有定位销轴,在终端底座固定上设有定位销轴。

IV Pole with Four Hooks

The length of IV pole is 600mm, can be retractable, with four hooks, single hook can bear 4 kg.



Drawer

Silent self-priming track, no damage after 10,000 times push-pull tests, and the handle position is integrally formed by pressing with mould.



Instrument Platform

The size of the table top is 450*500mm, and the height of table surface can be adjusted. The table top is made of aluminum alloy panel with iron square tube inside, can bear ≥50KG; with external aluminum alloy hanging frame.



Medical Gas

It is equipped with medical gas on both sides of the cabinet and column. The following configurations can be customized,
1. The number of medical gas
2. Interface standard and position
Gas port adopts secondary seal, three states (on, off, pull), support maintenance operations while it is working.



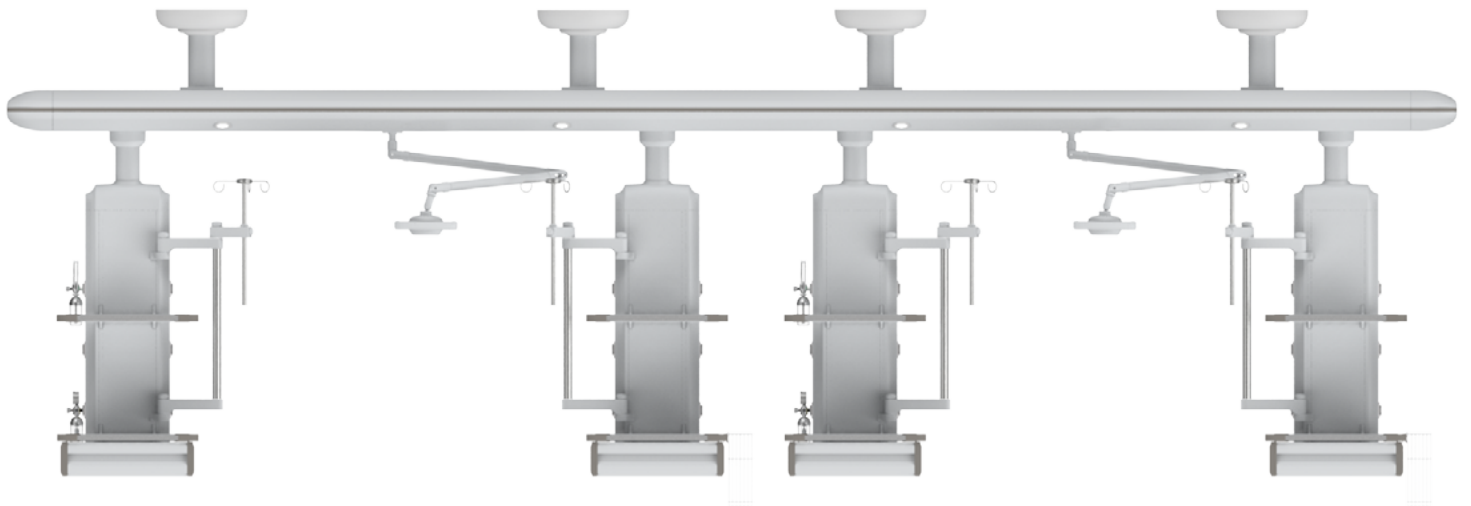
Equipotential Socket

Reduce the potential difference between indirect contact voltage and different metal parts.



SK-PQ003

COMBINED MEDICAL BRIDGE
CEILING PENDANT



SK-PQ003

FEATURES AND HIGHLIGHTS

The combined medical bridge ceiling pendant is suitable for compact rooms, two or more modules of medical bridge ceiling pendant can be connected from head to end, improving the space utilization of ICU room, saving treatment space as much as possible without all configurations changed.

Product Application: Suitable for ICU, NICU, PICU, EICU room.

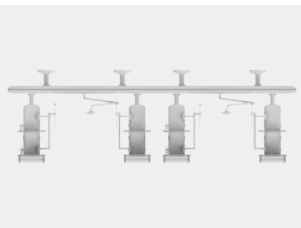
Optional Accessories:

- * Net basket - Stainless steel net basket
- * We manufacturer and provide different standard of medical gas outlet: British Standard, American standard, German standard, French standard, Japanese Standard, etc.
- * Different standard of medical gas outlets & adapters: British standard, French standard, German standard, Diss, Ohmeda, Chemetron, and etc.
- * Inhalers - All kinds of oxygen inhalers (disposable, simple, external hanging, etc.)
- * Negative pressure regulating valve
- * Waste liquid collection device (external hanging type)
- * The medical pendant is equipped with individual IV pole, built in interface of strong power & weak electronic. (Optional cantilever working lamp, monitor holder and surveillance camera in the place of IV pole)

Material and process

Appearance Design

The design of bridge hanging style saves ground space; the whole bridge pendant is fully sealed, no sharp angle to prevent the impact.



Painting

Imported plastic powder, electrostatic painting process, painting thickness 0.12mm, brightness 60°, paint can resist 50kg impact.



Welding

Panasonic Robot ensure 360° full smooth welding.



Material

The tensile strength of aluminum alloy frame is more than 295MPa, some connecting parts are made of cast iron ≥ 200 MPa, and the net load is more than 300kg; one-off extrusion molding, and the surface undergoes the primary oxidation treatment.



Function

Combined Medical Bridge Ceiling Pendant

Two or more modules of medical bridge ceiling pendant can be connected from head to end, according to the length of beds and wards, the cabinet and function column can be flexibly configured to meet different needs.



Electric Translation System

The function column built-in Jiechang motor of model JC35D1, with SAA/TUV/PSE/CE/UL/KC certificates, ensure safety. Motor noise under 48dB, lifetime 20,000 times, electric translation distance 300mm; the horizontal translation in dry and wet areas, accurate positioning without drift, meeting requirements of different nursing.



Suspension System

Medical pendant rotation angle 340°, built-in rotation limit device to prevent drift.



Configuration

Bridge Configuration

Two fixed LED lightings, 1 set of double cantilever folding working lighting; one power supply and one gas total valve.



Utility Model Patent

Negative pressure terminal obtained the Utility Model Patent CN202478404U.

专利内容由知识产权出版社提供

专利名称: 负压吸引气源终端
专利类型: 实用新型专利
发明人: 贾天华
申请号: CN202120007807.3
申请日: 2021-03-05
公开号: CN202478404U
公开日: 2021-10-10



摘要: 本实用新型涉及一种负压吸引气源终端,包括终端底座,在终端底座上固定有定位销轴,在终端底座顶部设有负压吸引气源终端,在终端底座顶部设有负压吸引气源终端,在终端底座顶部设有负压吸引气源终端。

IV Pole with Four Hooks

The length of IV pole is 600mm, can be retractable, with four hooks, single hook can bear 4 kg.



Drawer

Silent self-priming track, no damage after 10,000 times push-pull tests, and the handle position is integrally formed by pressing with mould.



Instrument Platform

The size of the table top is 450*500mm, and the height of table surface can be adjusted. The table top is made of aluminum alloy panel with iron square tube inside, can bear ≥50KG; with external aluminum alloy hanging frame.



Medical Gas

It is equipped with medical gas on both sides of the cabinet and column. The following configurations can be customized,
1. The number of medical gas
2. Interface standard and position
Gas port adopts secondary seal, three states (on, off, pull), support maintenance operations while it is working.



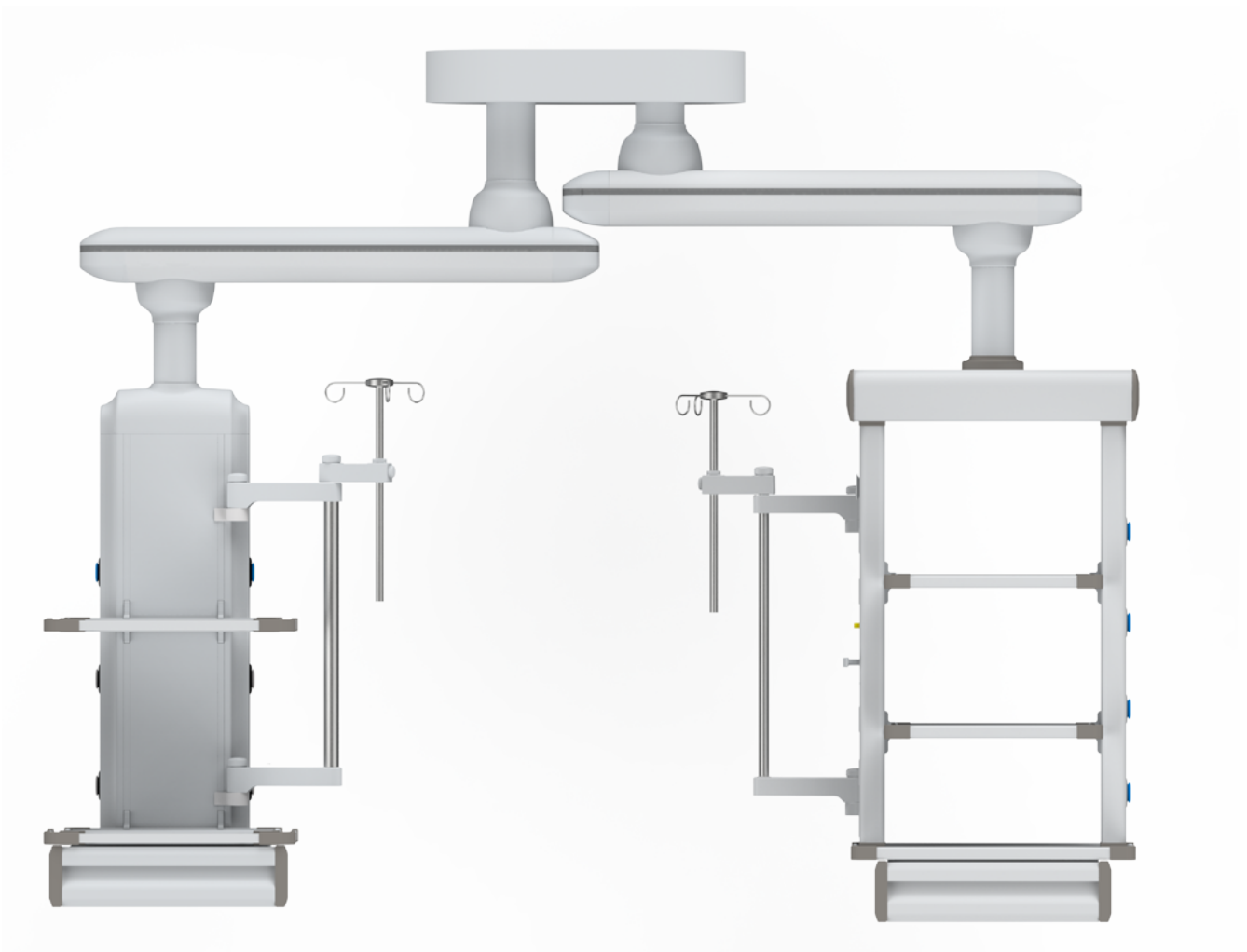
Equipotential Socket

Reduce the potential difference between indirect contact voltage and different metal parts.



SK-PQ004

MULTI-ARM COMBINED MEDICAL BRIDGE
CEILING PENDANT(CABINET AND COLUMN)



SK-PQ004

FEATURES AND HIGHLIGHTS

The multi-arm combined medical bridge ceiling pendant is suitable for compact ICU rooms, the combination of flexible arms and function columns can make full use of the space of the ICU rooms.

Product Application: Suitable for ICU, NICU, PICU, EICU room.

Optional Accessories:

- * Net basket - Stainless steel net basket
- * We manufacturer and provide different standard of medical gas outlet: British Standard, American standard, German standard, French standard, Japanese Standard, etc.
- * Different standard of medical gas outlets & adapters: British standard, French standard, German standard, Diss, Ohmeda, Chemetron, and etc.
- * Inhalers - All kinds of oxygen inhalers (disposable, simple, external hanging, etc.)
- * Negative pressure regulating valve
- * Waste liquid collection device (external hanging type)

Material and process

Appearance Design

The design of double hanging arms style saves ground space; the whole bridge pendant is fully sealed, no sharp angle to prevent the impact.



Painting

Imported plastic powder, electrostatic painting process, painting thickness 0.12mm, brightness 60°, paint can resist 50kg impact.



Welding

Panasonic Robot ensure 360° full smooth welding.



Material

The tensile strength of aluminum alloy frame is more than 295MPa, some connecting parts are made of cast iron ≥ 200 MPa, and the net load is more than 300kg; one-off extrusion molding, and the surface undergoes the primary oxidation treatment.



Function

Braking System

The pneumatic brake system, using compressed air to brake hanging arms and medical pendants, one press to release the brake.



Suspension System

The rotation angle of medical pendant and hanging arm is 340°, built-in rotation limit device to prevent drift.



Configuration

Rotating Arm

The single rotating arm can cover 1000mm treatment radius, using dislocation height installation, can be used flexibly during treatment.



Utility Model Patent

Negative pressure terminal obtained the Utility Model Patent CN202478404U.

专利内容由知识产权出版社提供

专利名称：负压吸引气路终端
 专利类型：实用新型专利
 发明人：贾天华
 申请号：CN202420086073.8
 申请日：2024/05/05
 公告号：CN202478404U
 公告日：2024/10/10



摘要：本实用新型公开了一种负压吸引气路终端，包括终端底座、终端底座上固定有立柱，立柱顶部固定有上盖，上盖顶部固定有负压吸引气路终端，立柱底部固定有底座，底座底部固定有底座固定件。

IV Pole with Four Hooks

The length of IV pole is 600mm, can be retractable, with four hooks, single hook can bear 4 kg.



Drawer

Silent self-priming track, no damage after 10,000 times push-pull tests, and the handle position is integrally formed by pressing with mould.



Instrument Platform

The size of the table top is 450*500mm, and the height of table surface can be adjusted. The table top is made of aluminum alloy panel with iron square tube inside, can bear ≥50KG; with external aluminum alloy hanging frame.



Medical Gas

It is equipped with medical gas on both sides of the cabinet and column. The following configurations can be customized,
 1. The number of medical gas
 2. Interface standard and position
 Gas port adopts secondary seal, three states (on, off, pull), support maintenance operations while it is working.



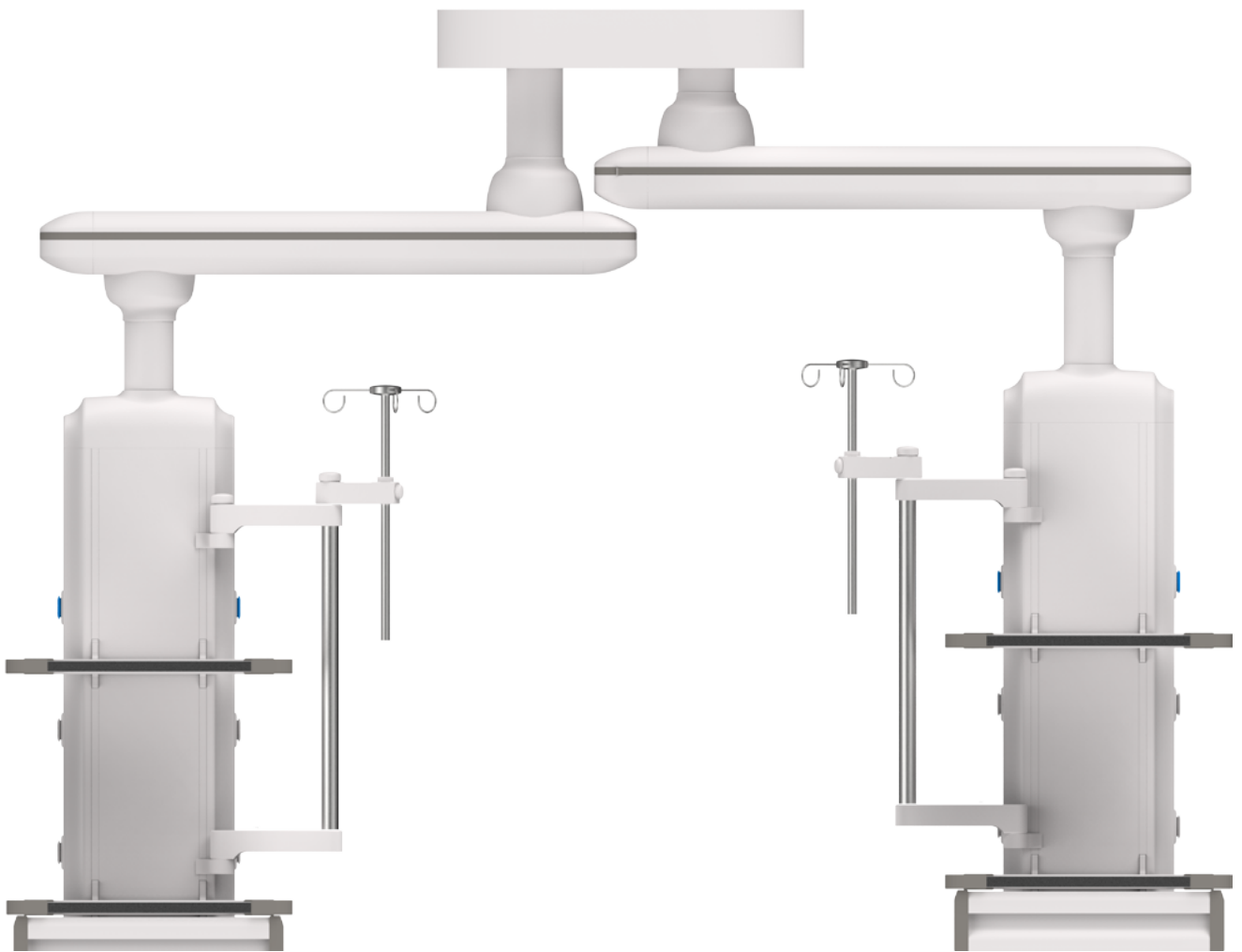
Equipotential Socket

Reduce the potential difference between indirect contact voltage and different metal parts.



SK-PQ005

MULTI-ARM COMBINED MEDICAL BRIDGE
CEILING PENDANT(DOUBLE COLUMNS)



SK-PQ005

FEATURES AND HIGHLIGHTS

The multi-arm combined medical bridge ceiling pendent is suitable for compact ICU rooms, the combination of flexible arms and function columns can make full use of the space of the ICU rooms.

Product Application: Suitable for ICU, NICU, PICU, EICU room.

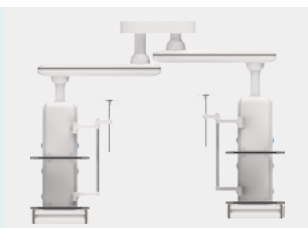
Optional Accessories:

- * Net basket - Stainless steel net basket
- * We manufacturer and provide different standard of medical gas outlet: British Standard, American standard, German standard, French standard, Japanese Standard, etc.
- * Different standard of medical gas outlets & adapters: British standard, French standard, German standard, Diss, Ohmeda, Chemetron, and etc.
- * Inhalers - All kinds of oxygen inhalers (disposable, simple, external hanging, etc.)
- * Negative pressure regulating valve
- * Waste liquid collection device (external hanging type)

Material and process

Appearance Design

The design of double hanging arms style saves ground space; the whole bridge pendant is fully sealed, no sharp angle to prevent the impact.



Painting

Imported plastic powder, electrostatic painting process, painting thickness 0.12mm, brightness 60°, paint can resist 50kg impact.



Welding

Panasonic Robot ensure 360° full smooth welding.



Material

The tensile strength of aluminum alloy frame is more than 295MPa, some connecting parts are made of cast iron ≥ 200 MPa, and the net load is more than 300kg; one-off extrusion molding, and the surface undergoes the primary oxidation treatment.



Function

Braking System

The pneumatic brake system, using compressed air to brake hanging arms and medical pendants, one press to release the brake.



Suspension System

The rotation angle of medical pendant and hanging arm is 340°, built-in rotation limit device to prevent drift.



Configuration

Rotating Arm

The single rotating arm can cover 1000mm treatment radius, using dislocation height installation, can be used flexibly during treatment.



Utility Model Patent

Negative pressure terminal obtained the Utility Model Patent CN202478404U.

专利内容由知识产权出版社提供

专利名称：负压吸引气路终端
 专利类型：实用新型专利
 发明人：贾天华
 申请号：CN20232008607.3
 申请日：2023/05/05
 公告号：CN202478404U
 公告日：2023/12/10



摘要：本实用新型公开了一种负压吸引气路终端，包括两种结构，在两种结构上设置有负压吸引终端，在所述两种结构上设置有负压吸引终端，在所述两种结构上设置有负压吸引终端。

IV Pole with Four Hooks

The length of IV pole is 600mm, can be retractable, with four hooks, single hook can bear 4 kg.



Drawer

Silent self-priming track, no damage after 10,000 times push-pull tests, and the handle position is integrally formed by pressing with mould.



Instrument Platform

The size of the table top is 450*500mm, and the height of table surface can be adjusted. The table top is made of aluminum alloy panel with iron square tube inside, can bear ≥50KG; with external aluminum alloy hanging frame.



Medical Gas

It is equipped with medical gas on both sides of the cabinet and column. The following configurations can be customized,
 1. The number of medical gas
 2. Interface standard and position
 Gas port adopts secondary seal, three states (on, off, pull), support maintenance operations while it is working.



Equipotential Socket

Reduce the potential difference between indirect contact voltage and different metal parts.



SK-PT001

SINGLE ARM MEDICAL BRIDGE
CEILING PENDANT



SK-PT001

FEATURES AND HIGHLIGHTS

The single arm medical bridge ceiling pendant, meeting the daily load-bearing requirements and using strong material, made of imported antibacterial plastic powder, ensuring the cleanliness of the operating environment. Its rich accessories matching various systems, greatly extending the clinical practicability.

Product Application: Suitable for OR room.

Optional Accessories:

- * Net basket - Stainless steel net basket
- * We manufacturer and provide different standard of medical gas outlet: British Standard, American standard, German standard, French standard, Japanese Standard, etc.
- * Different standard of medical gas outlets & adapters: British standard, French standard, German standard, Diss, Ohmeda, Chemetron, and etc.
- * Inhalers - All kinds of oxygen inhalers (disposable, simple, external hanging, etc.)
- * Negative pressure regulating valve
- * Waste liquid collection device (external hanging type)

Material and process

Appearance Design

The design of single hanging arm style, saves ground space; the whole bridge pendant is fully sealed, no sharp angle to prevent the impact.



Painting

Imported plastic powder, electrostatic painting process, painting thickness 0.12mm, brightness 60°, paint can resist 50kg impact.



Welding

Panasonic Robot ensure 360° full smooth welding.



Material

The tensile strength of aluminum alloy frame is more than 295MPa, some connecting parts are made of cast iron ≥ 200 MPa, and the net load is more than 300kg; one-off extrusion molding, and the surface undergoes the primary oxidation treatment.



Function

Braking System

The pneumatic brake system, using compressed air to brake hanging arms and medical pendants, one press to release the brake.



Suspension System

The rotation angle of medical pendant and hanging arm is 340°, built-in rotation limit device to prevent drift.



Configuration

Rotating Arm

The single rotating arm cover 1000mm treatment radius, can be used flexibly during treatment, meeting the surgical needs of all departments.



Utility Model Patent

Negative pressure terminal obtained the Utility Model Patent CN202478404U.

专利内容由知识产权出版社提供

专利名称: 负压吸引气路终端
 专利类型: 实用新型专利
 发明人: 贾天华
 申请号: CN202320086073.8
 申请日: 2023/05/15
 公开号: CN202478404U
 公开日: 2024/12/10



摘要: 本实用新型公开一种负压吸引气路终端,包括终端底座,在终端底座上固定有立柱和吸盘,在立柱顶部固定有吸盘,在立柱中部固定有吸盘,在立柱底部固定有吸盘。

IV Pole with Four Hooks

The length of IV pole is 600mm, can be retractable, with four hooks, single hook can bear 4 kg.



Drawer

Silent self-priming track, no damage after 10,000 times push-pull tests, and the handle position is integrally formed by pressing with mould.



Instrument Platform

The size of the table top is 450*500mm, and the height of table surface can be adjusted. The table top is made of aluminum alloy panel with iron square tube inside, can bear ≥50KG; with external aluminum alloy hanging frame.



Medical Gas

It is equipped with medical gas on both sides of the cabinet and column. The following configurations can be customized,
 1. The number of medical gas
 2. Interface standard and position
 Gas port adopts secondary seal, three states (on, off, pull), support maintenance operations while it is working.



Equipotential Socket

Reduce the potential difference between indirect contact voltage and different metal parts.



SK-PT002

SINGLE ARM MEDICAL ENDOSCOPIC
BRIDGE CEILING PENDANT



SK-PT002

FEATURES AND HIGHLIGHTS

The single arm medical endoscopic bridge ceiling pendant is endoscopy surgery auxiliary equipment, meeting the daily load-bearing requirements and using strong material, made of imported antibacterial plastic powder, ensuring the cleanliness of the operating environment. Its rich accessories matching various systems, greatly extending the clinical practicability.

Product Application: Suitable for OR room.

Optional Accessories:

- * Net basket - Stainless steel net basket
- * We manufacturer and provide different standard of medical gas outlet: British Standard, American standard, German standard, French standard, Japanese Standard, etc.
- * Different standard of medical gas outlets & adapters: British standard, French standard, German standard, Diss, Ohmeda, Chemetron, and etc.
- * Inhalers - All kinds of oxygen inhalers (disposable, simple, external hanging, etc.)
- * Negative pressure regulating valve
- * Waste liquid collection device (external hanging type)

Material and process

Appearance Design

The design of single hanging arm style, saves ground space; the whole bridge pendant is fully sealed, no sharp angle to prevent the impact.



Painting

Imported plastic powder, electrostatic painting process, painting thickness 0.12mm, brightness 60°, paint can resist 50kg impact.



Welding

Panasonic Robot ensure 360° full smooth welding.



Material

The tensile strength of aluminum alloy frame is more than 295MPa, some connecting parts are made of cast iron ≥ 200 MPa, and the net load is more than 300kg; one-off extrusion molding, and the surface undergoes the primary oxidation treatment.



Function

Braking System

The pneumatic brake system, using compressed air to brake hanging arms and medical pendants, one press to release the brake.



Suspension System

The rotation angle of medical pendant and hanging arm is 340°, built-in rotation limit device to prevent drift.



Configuration

Rotating Arm

The single rotating arm can cover 1000mm treatment radius, can be used flexibly during treatment, meeting the surgical needs of all departments.



Utility Model Patent

Negative pressure terminal obtained the Utility Model Patent CN202478404U.

专利内容由知识产权出版社提供

专利名称：负压吸引气路终端
 专利类型：实用新型专利
 发明人：贾天升
 申请号：CN202420008607.8
 申请日：2024/05/05
 公开号：CN202478404U
 公开日：2024/10/10



摘要：本实用新型公开一种负压吸引气路终端，包括两种结构，在两种结构上设置有负压吸引终端，在所述两种结构上设置有负压吸引终端，在所述两种结构上设置有负压吸引终端。

IV Pole with Four Hooks

The length of IV pole is 600mm, can be retractable, with four hooks, single hook can bear 4 kg.



Drawer

Silent self-priming track, no damage after 10,000 times push-pull tests, and the handle position is integrally formed by pressing with mould.



Instrument Platform

The size of the table top is 450*500mm, and the height of table surface can be adjusted. The table top is made of aluminum alloy panel with iron square tube inside, can bear ≥50KG; with external aluminum alloy hanging frame.



Medical Gas

It is equipped with medical gas on both sides of the cabinet and column. The following configurations can be customized,
 1. The number of medical gas
 2. Interface standard and position
 Gas port adopts secondary seal, three states (on, off, pull), support maintenance operations while it is working.



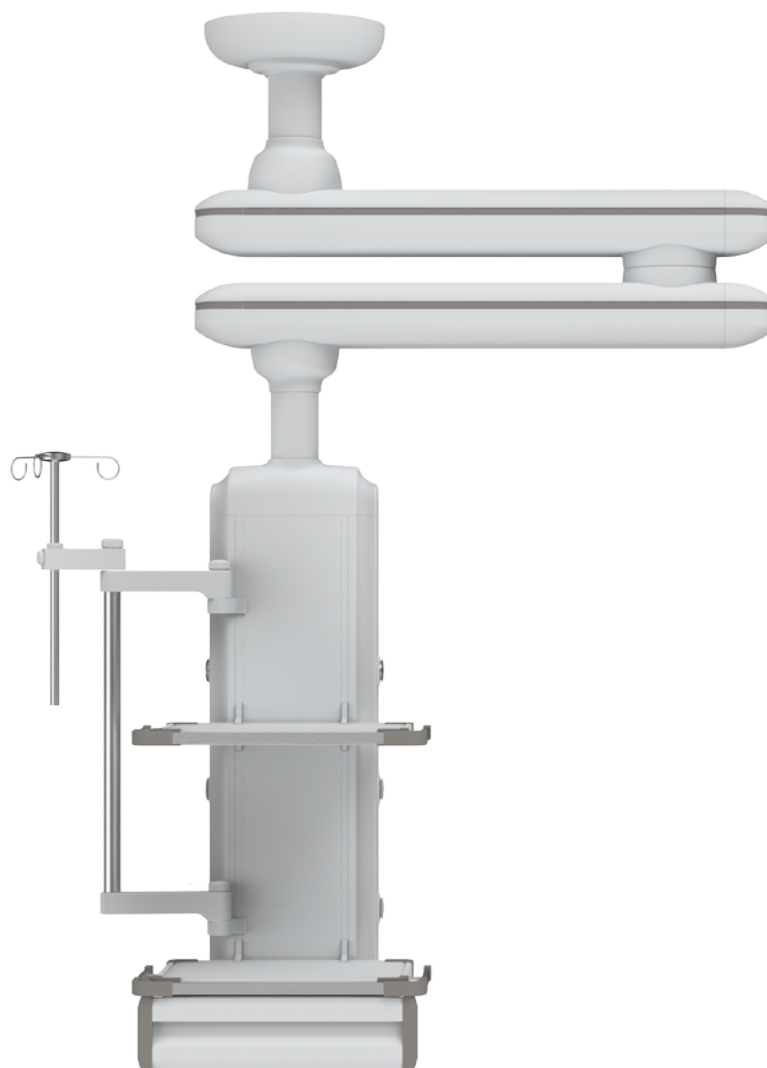
Equipotential Socket

Reduce the potential difference between indirect contact voltage and different metal parts.



SK-PT003

DOUBLE ARMS MEDICAL BRIDGE
CEILING PENDANT



SK-PT003

FEATURES AND HIGHLIGHTS

The double arms medical bridge ceiling pendant is more flexible in moving and positioning, compared with the single one, longer treatment coverage radius, meeting the daily load-bearing requirements and using strong material, made of imported antibacterial plastic powder, ensuring the cleanliness of the operating environment. Its rich accessories matching various systems, greatly extending the clinical practicability.

Product Application: Suitable for OR room.

Optional Accessories:

- * Net basket - Stainless steel net basket
- * We manufacturer and provide different standard of medical gas outlet: British Standard, American standard, German standard, French standard, Japanese Standard, etc.
- * Different standard of medical gas outlets & adapters: British standard, French standard, German standard, Diss, Ohmeda, Chemetron, and etc.
- * Inhalers - All kinds of oxygen inhalers (disposable, simple, external hanging, etc.)
- * Negative pressure regulating valve
- * Waste liquid collection device (external hanging type)

Material and process

Appearance Design

The design of double hanging arms style, saves ground space; the whole bridge pendant is fully sealed, no sharp angle to prevent the impact.



Painting

Imported plastic powder, electrostatic painting process, painting thickness 0.12mm, brightness 60°, paint can resist 50kg impact.



Welding

Panasonic Robot ensure 360° full smooth welding.



Material

The tensile strength of aluminum alloy frame is more than 295MPa, some connecting parts are made of cast iron ≥ 200 MPa, and the net load is more than 300kg; one-off extrusion molding, and the surface undergoes the primary oxidation treatment.



Function

Braking System

The pneumatic brake system, using compressed air to brake hanging arms and medical pendants, one press to release the brake.



Suspension System

The rotation angle of medical pendant and hanging arm is 340°, built-in rotation limit device to prevent drift.



Configuration

Rotating Arm

The double rotating arms cover 1400mm treatment radius, can be used flexibly during treatment, meeting the surgical needs of all departments.



Utility Model Patent

Negative pressure terminal obtained the Utility Model Patent CN202478404U.

专利内容由知识产权出版社提供

专利名称: 负压吸引气路终端
专利类型: 实用新型专利
发明人: 贾天升
申请号: CN202420028673.8
申请日: 2024/05/05
公开号: CN202478404U
公开日: 2024/10/10



摘要: 本实用新型公开了一种负压吸引气路终端,包括两种结构,包括一种在柜面上固定安装的,包括一种在柜面上固定安装的,包括一种在柜面上固定安装的,包括一种在柜面上固定安装的。

IV Pole with Four Hooks

The length of IV pole is 600mm, can be retractable, with four hooks, single hook can bear 4 kg.



Drawer

Silent self-priming track, no damage after 10,000 times push-pull tests, and the handle position is integrally formed by pressing with mould.



Instrument Platform

The size of the table top is 450*500mm, and the height of table surface can be adjusted. The table top is made of aluminum alloy panel with iron square tube inside, can bear ≥50KG; with external aluminum alloy hanging frame.



Medical Gas

It is equipped with medical gas on both sides of the cabinet and column. The following configurations can be customized,
1. The number of medical gas
2. Interface standard and position
Gas port adopts secondary seal, three states (on, off, pull), support maintenance operations while it is working.



Equipotential Socket

Reduce the potential difference between indirect contact voltage and different metal parts.



SK-PT004

MOBILE MEDICAL BRIDGE CEILING PENDANT



SK-PT004

FEATURES AND HIGHLIGHTS

The mobile medical bridge ceiling pendant can be connected with external power supply and medical air source, bearing 200kg, prevent the shortages of gas electricity supply when adding nursing machines.

Product Application: Suitable for OR and ICU room.

Optional Accessories:

- * Net basket - Stainless steel net basket
- * We manufacturer and provide different standard of medical gas outlet: British Standard, American standard, German standard, French standard, Japanese Standard, etc.
- * Different standard of medical gas outlets & adapters: British standard, French standard, German standard, Diss, Ohmeda, Chemetron, and etc.
- * Inhalers - All kinds of oxygen inhalers (disposable, simple, external hanging, etc.)
- * Negative pressure regulating valve

Material and process

Appearance Design

Minimalist pushcart design for emergency care needs, the whole bridge pendant is fully sealed, no sharp angle to prevent the impact.



Painting

Imported plastic powder, electrostatic painting process, painting thickness 0.12mm, brightness 60°, paint can resist 50kg impact.



Welding

Panasonic Robot ensure 360° full smooth welding.



Material

The tensile strength of aluminum alloy frame is more than 295MPa, some connecting parts are made of cast iron ≥ 200 MPa, and the net load is more than 300kg; one-off extrusion molding, and the surface undergoes the primary oxidation treatment.



Function

Displacement System

Equipped with 3-inch double-side castors (two castors with brakes), no worn-out after bearing 200kg, running 30KM and passing obstacles 500time.



Configuration

IV Pole with Four Hooks

The length of IV pole is 600mm, can be retractable, with four hooks, single hook can bear 4 kg.



Drawer

Silent self-priming track, no damage after 10,000 times push-pull tests, and the handle position is integrally formed by pressing with mould.



Instrument Platform

The size of the table top is 450*500mm, and the height of table surface can be adjusted. The table top is made of aluminum alloy panel with iron square tube inside, can bear ≥ 50 KG; with external aluminum alloy hanging frame.



Medical Gas

It is equipped with medical gas on both sides of the cabinet and column. The following configurations can be customized,
1. The number of medical gas
2. Interface standard and position
Gas port adopts secondary seal, three states (on, off, pull), support maintenance operations while it is working.



Medical Gas

One power input terminal, one oxygen input terminal and one negative pressure suction input terminal.



Utility Model Patent

Negative pressure terminal obtained the Utility Model Patent CN202478404U.

专利内容由知识产权出版社提供

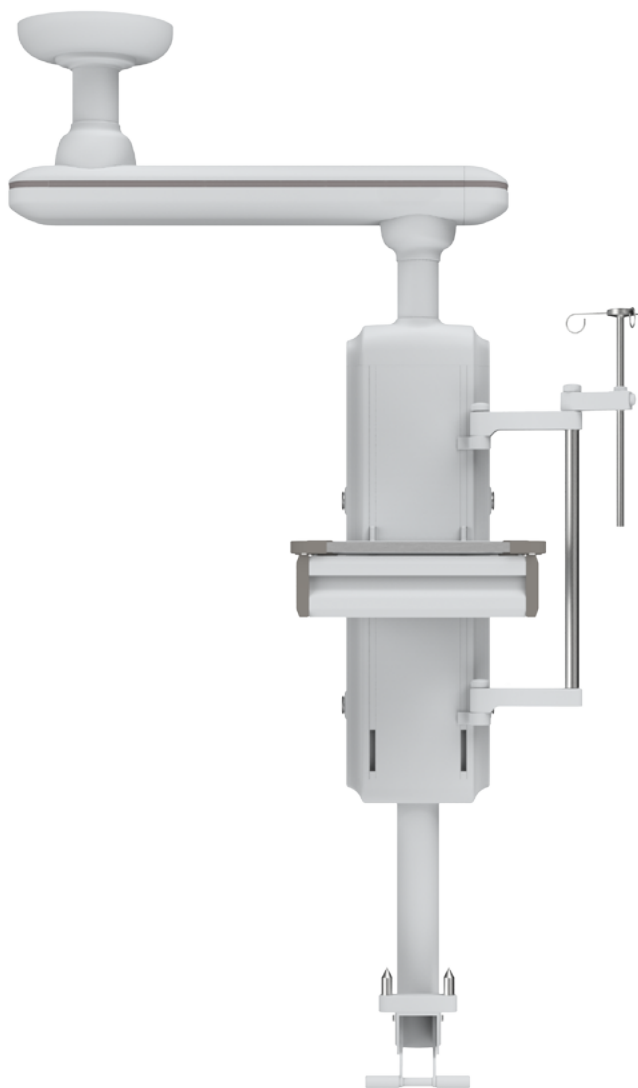
专利名称：负压吸引气路终端
专利类型：实用新型专利
发明人：贾天升
申请号：CN20122008607.3
申请日：20120305
公开号：CN202478404U
公开日：20121010



摘要：本实用新型涉及一种负压吸引气路终端，包括终端底座、负压吸引底座、负压吸引底座上盖及负压吸引底座上盖上的负压吸引终端，还包括负压吸引终端的负压吸引底座、负压吸引终端的负压吸引底座、负压吸引终端的负压吸引底座。

SK-PT005

ANESTHESIA MEDICAL BRIDGE
CEILING PENDANT



SK-PT005

FEATURES AND HIGHLIGHTS

The anesthesia medical bridge ceiling pendant is equipped with hanging holder for anesthesia machine, bearing 250 kg of anesthesia machine, with international AGSS jet exhaust gas, suitable for anesthesia surgery.

Product Application: Suitable for OR room.

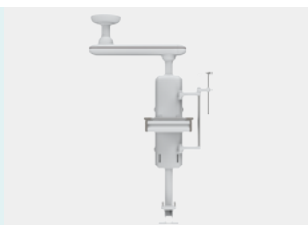
Optional Accessories:

- * Net basket - Stainless steel net basket
- * We manufacturer and provide different standard of medical gas outlet: British Standard, American standard, German standard, French standard, Japanese Standard, etc.
- * Different standard of medical gas outlets & adapters: British standard, French standard, German standard, Diss, Ohmeda, Chemetron, and etc.
- * Inhalers - All kinds of oxygen inhalers (disposable, simple, external hanging, etc.)
- * Negative pressure regulating valve
- * Waste liquid collection device (external hanging type)

Material and process

Appearance Design

The design of single hanging arm style, saves ground space; the whole bridge pendant is fully sealed, no sharp angle to prevent the impact.



Painting

Imported plastic powder, electrostatic painting process, painting thickness 0.12mm, brightness 60°, paint can resist 50kg impact.



Welding

Panasonic Robot ensure 360° full smooth welding.



Material

The tensile strength of aluminum alloy frame is more than 295MPa, some connecting parts are made of cast iron ≥ 200 MPa, and the net load is more than 300kg; one-off extrusion molding, and the surface undergoes the primary oxidation treatment.



Function

Braking System

The pneumatic brake system, using compressed air to brake hanging arms and medical pendants, one press to release the brake.



Lifting System

The function column built-in Jiechang motor of model JC35D1, with SAA/TUV/PSE/CE/UL/KC certificates, ensure safety. Motor noise under 50dB, lifetime 20,000 times, electric lifting distance 300mm; accurate positioning without drift, meeting requirements of different nursing.



Suspension System

Medical pendant and hanging arm, rotation angle 340°, built-in rotation limit device to prevent drift.



Configuration

IV Pole with Four Hooks

The length of IV pole is 600mm, can be retractable, with four hooks, single hook can bear 4 kg.



Drawer

Silent self-priming track, no damage after 10,000 times push-pull tests, and the handle position is integrally formed by pressing with mould.



Instrument Platform

The size of the table top is 450*500mm, and the height of table surface can be adjusted. The table top is made of aluminum alloy panel with iron square tube inside, can bear ≥ 50 KG; with external aluminum alloy hanging frame.



Medical Gas

It is equipped with medical gas on both sides of the cabinet and column. The following configurations can be customized,
1. The number of medical gas
2. Interface standard and position
Gas port adopts secondary seal, three states (on, off, pull), support maintenance operations while it is working.



Rotating Arm

The single rotating arm can cover 1000mm treatment radius, can be used flexibly during treatment, meeting the surgical needs of all departments.



Utility Model Patent

Negative pressure terminal obtained the Utility Model Patent CN202478404U.

专利内容由知识产权出版社提供

专利名称: 负压吸引气路终端

专利类型: 实用新型专利

发明人: 贾天华

申请号: CN201220078673.3

申请日: 2012/03/05

公开号: CN202478404U

公开日: 2012/10/10



摘要: 本实用新型涉及一种负压吸引气路终端,包括终端底座,在终端底座上设置有定位凸块,在终端底座上设置有定位槽,在终端底座中设置有定位销,在终端底座中设置有定位孔。

Special Gas Terminal

With carbon dioxide gas terminal for anesthesia surgery, laughing gas terminal and Jet-discard AGSS collection terminals.



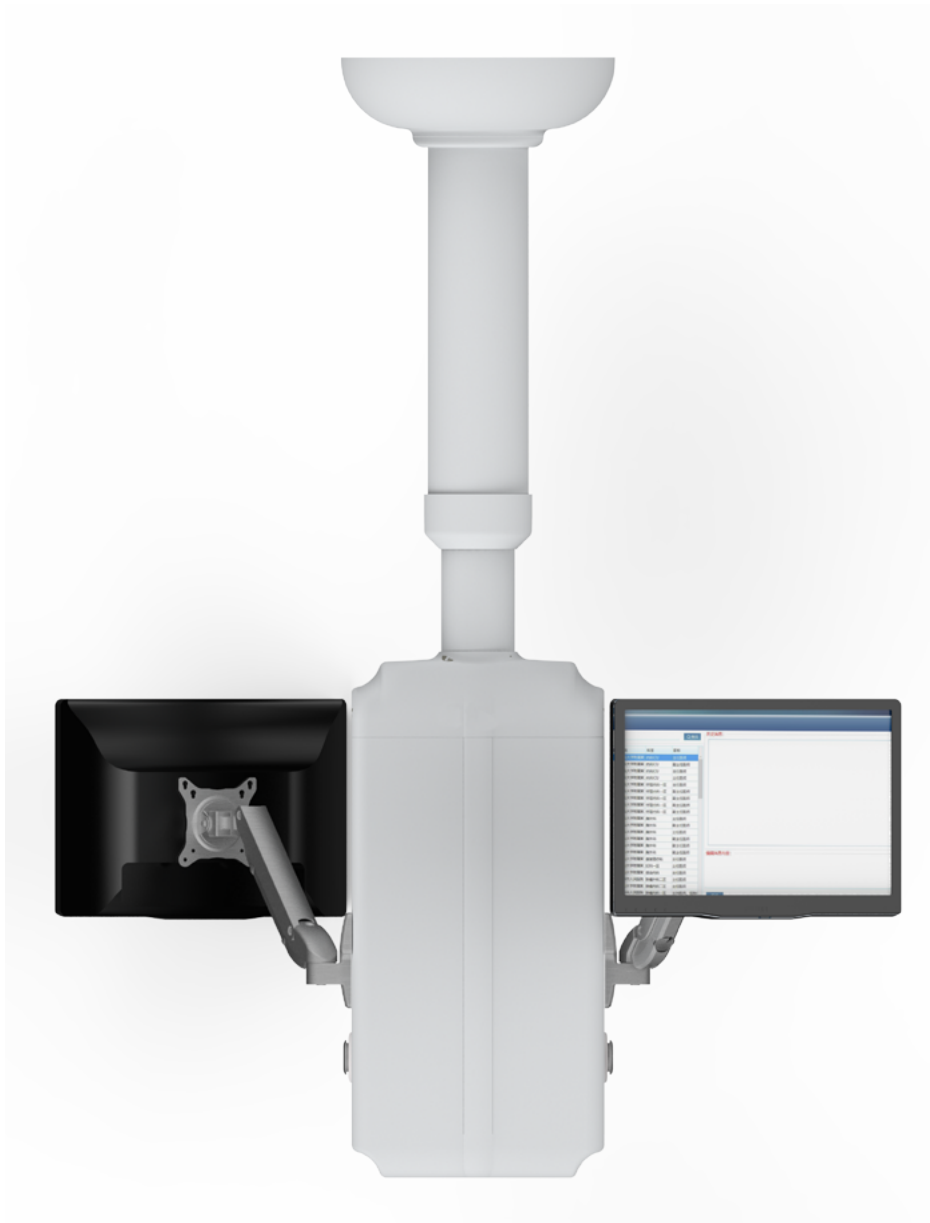
Anesthesia Machine Holder

Anesthesia machine holder, bearing 250 kg of anesthesia machine.



SK-PT006

SUPPLY COLUMN



SK-PT006

FEATURES AND HIGHLIGHTS

Working table supports can be placed on both sides of the supply column, one-stop operation for medical staff, suitable for supply rooms.

Product Application: Suitable for supply room.

Optional Accessories:

- * Net basket - Stainless steel net basket
- * We manufacturer and provide different standard of medical gas outlet: British Standard, American standard, German standard, French standard, Japanese Standard, etc.
- * Different standard of medical gas outlets & adapters: British standard, French standard, German standard, Diss, Ohmeda, Chemetron, and etc.
- * Inhalers - All kinds of oxygen inhalers (disposable, simple, external hanging, etc.)
- * Negative pressure regulating valve
- * Waste liquid collection device (external hanging type)

Appearance Design

The design of ceiling type function column, saves ground space; the whole function column is fully sealed, no sharp angle to prevent the impact.



Painting

Imported plastic powder, electrostatic painting process, painting thickness 0.12mm, brightness 60°, paint can resist 50kg impact.



Welding

Panasonic Robot ensure 360° full smooth welding.



Material

The tensile strength of aluminum alloy frame is more than 295MPa, some connecting parts are made of cast iron ≥ 200 MPa, and the net load is more than 300kg; one-off extrusion molding, and the surface undergoes the primary oxidation treatment.



Suspension System

Medical pendant rotation angle 340°, built-in rotation limit device to prevent drift.



Working Table Support

Equipped with 2 sets of 349° rotating 300mm diameter working table supports.



Equipotential Socket

Reduce the potential difference between indirect contact voltage and different metal parts.



Medical Gas

It is equipped with medical gas on both sides of the cabinet and column. The following configurations can be customized,
1. The number of medical gas
2. Interface standard and position
Gas port adopts secondary seal, three states (on, off, pull), support maintenance operations while it is working.



SK-PT007

FUNCTION COLUMN



SK-PT007

FEATURES AND HIGHLIGHTS

The function column is a medical rescue auxiliary equipment.
Product Application: Suitable for OR, ICU room.

Features:

- * With compact structure and saving ground space.
- * The function column can be rotated angle 340°.
- * With medical gas on both sides of the column.
- * Multilayer medical instrument platform, IV pole.

Optional Accessories:

- * Net basket - Stainless steel net basket
- * We manufacturer and provide different standard of medical gas outlet: British Standard, American standard, German standard, French standard, Japanese Standard, etc.
- * Different standard of medical gas outlets & adapters: British standard, French standard, German standard, Diss, Ohmeda, Chemetron, and etc.
- * Inhalers - All kinds of oxygen inhalers (disposable, simple, external hanging, etc.)
- * Negative pressure regulating valve
- * Waste liquid collection device (external hanging type)

Material and process

Appearance Design

The design of ceiling function column type, saves ground space; the whole function column is fully sealed, no sharp angle to prevent the impact.



Painting

Imported plastic powder, electrostatic painting process, painting thickness 0.12mm, brightness 60°, paint can resist 50kg impact.



Welding

Panasonic Robot ensure 360° full smooth welding.



Material

The tensile strength of aluminum alloy frame is more than 295MPa, some connecting parts are made of cast iron ≥ 200 MPa, and the net load is more than 300kg; one-off extrusion molding, and the surface undergoes the primary oxidation treatment.



Function

Suspension System

Medical pendant rotation angle 340°, built-in rotation limit device to prevent drift.



Configuration

IV Pole with Four Hooks

The length of IV pole is 600mm, can be retractable, with four hooks, single hook can bear 4 kg.



Drawer

Silent self-priming track, no damage after 10,000 times push-pull tests, and the handle position is integrally formed by pressing with mould.



Instrument Platform

The size of the table top is 450*500mm, and the height of table surface can be adjusted. The table top is made of aluminum alloy panel with iron square tube inside, can bear ≥ 50 KG; with external aluminum alloy hanging frame.



Medical Gas

It is equipped with medical gas on both sides of the cabinet and column. The following configurations can be customized,
1. The number of medical gas
2. Interface standard and position
Gas port adopts secondary seal, three states (on, off, pull), support maintenance operations while it is working.



Equipotential Socket

Reduce the potential difference between indirect contact voltage and different metal parts.



Utility Model Patent

Negative pressure terminal obtained the Utility Model Patent CN202478404U.

专利内容由知识产权出版社提供

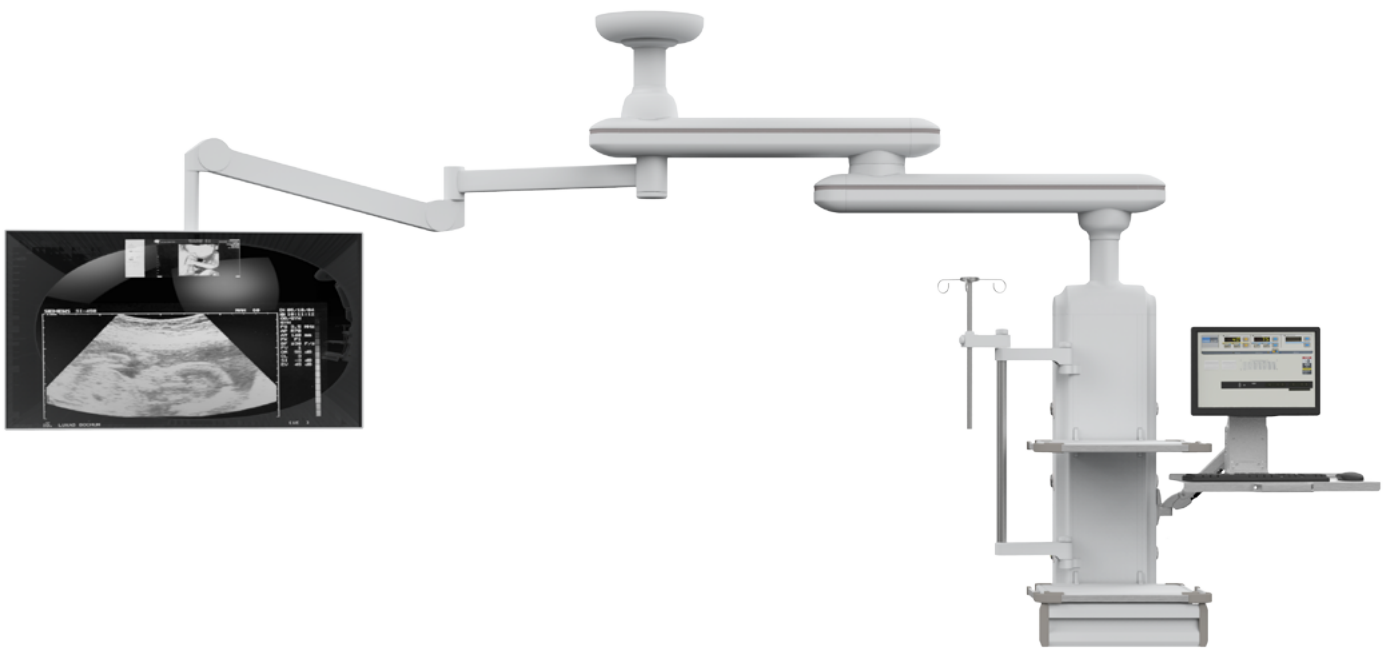
专利名称：负压排气终端
专利类型：实用新型专利
发明人：贾天升
申请号：CN20122008607.3
申请日：20120305
公开号：CN102478404U
公开日：20121010



摘要：本实用新型涉及一种负压排气终端，包括排气通道、负压排气通道上的负压排气终端，在所述排气通道上设有负压排气终端，在所述负压排气终端上设有负压排气通道，在所述负压排气通道上设有负压排气终端。

SK-PT008

MEDICAL BRIDGE CEILING PENDANT FOR
IMAGING OPERATING ROOM



SK-PT008

FEATURES AND HIGHLIGHTS

The medical medical bridge ceiling pendant for imaging operating room is a basic equipment specially designed for endoscopic treatment. Used for carrying instrument of endoscope, monitor and so on. Providing air pump, power supply, video and communication interfaces for equipment, with cable and pipeline, making the operating environment orderly. Product Application: suitable for imaging operating room, endoscopy center.

Optional Accessories:

- * Net basket - Stainless steel net basket
- * We manufacturer and provide different standard of medical gas outlet: British Standard, American standard, German standard, French standard, Japanese Standard, etc.
- * Different standard of medical gas outlets & adapters: British standard, French standard, German standard, Diss, Ohmeda, Chemetron, and etc.
- * Inhalers - All kinds of oxygen inhalers (disposable, simple, external hanging, etc.)
- * Negative pressure regulating valve
- * Waste liquid collection device (external hanging type)

Material and Process

Appearance Design

The design of double - joint heavy - duty spring arm monitor holder and double hanging arms, the whole bridge pendant is fully sealed, no sharp angle to prevent the impact.



Painting

Imported plastic powder, electrostatic painting process, painting thickness 0.12mm, brightness 60°, paint can resist 50kg impact.



Welding

Panasonic Robot ensure 360° full smooth welding.



Material

The tensile strength of aluminum alloy frame is more than 295MPa, some connecting parts are made of cast iron ≥ 200 MPa, and the net load is more than 300kg; one-off extrusion molding, and the surface undergoes the primary oxidation treatment.



Function

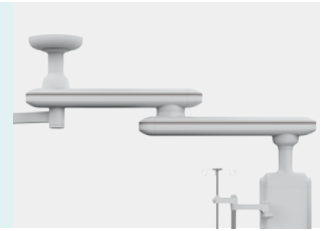
Braking System

The pneumatic brake system, using compressed air to brake hanging arms and medical pendants, one press to release the brake.



Suspension System

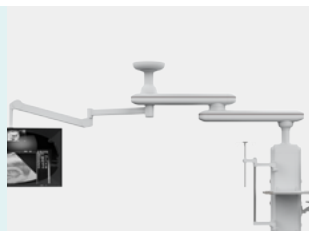
The rotation angle of medical pendant and hanging arm is 340°, built-in rotation limit device to prevent drift.



Configuration

Rotating Arm

The double rotating arms can cover 1700mm treatment radius, can be used flexibly during treatment, meeting the surgical needs of all departments.



Heavy - duty spring arm monitor holder

Equipped with double - joint monitor holder of Radius more than 1600mm and bearing range 6kg-12kg.



IV Pole with Four Hooks

The length of IV pole is 600mm, can be retractable, with four hooks, single hook can bear 4 kg.



Drawer

Silent self-priming track, no damage after 10,000 times push-pull tests, and the handle position is integrally formed by pressing with mould.



Instrument Platform

The size of the table top is 450*500mm, and the height of table surface can be adjusted. The table top is made of aluminum alloy panel with iron square tube inside, can bear ≥50KG; with external aluminum alloy hanging frame.



Medical Gas

It is equipped with medical gas on both sides of the cabinet and column. The following configurations can be customized,
 1. The number of medical gas
 2. Interface standard and position
 Gas port adopts secondary seal, three states (on, off, pull), support maintenance operations while it is working.



Utility Model Patent

Negative pressure terminal obtained the Utility Model Patent CN202478404U.

专利内容由知识产权出版社提供

专利名称: 负压吸引气路终端
 专利类型: 实用新型专利
 发明人: 黄文冲
 申请号: CN202120007807.9
 申请日: 2021/03/05
 授权号: CN202478404U
 授权日: 2024/10/10

摘要: 本实用新型涉及一种负压吸引气路终端, 包括底座、底座上固定设置的连接管、底座上固定设置的连接管、底座上固定设置的连接管、底座上固定设置的连接管。

Endoscope Stand

A temporary access device (hanging type) for a needle holder of an endoscope.



Equipotential Socket

Reduce the potential difference between indirect contact voltage and different metal parts.





CONSTANT INNOVATION



Design



Research



Manufacturing



Maintenance



Service



WORLDWIDE BRANCHES

USA

Saikang Medical Technology, Inc.
17800 Castleton St Ste 180,
City of Industry, 91748, California.
Tel.: +1 949648 2776

United Kingdom

UK Healthward International Ltd.
Dept. 111, 196 High Road Wood
Green, N22 8HH, London.
Tel.: +44 2032399738

Russia

Saikang Medical Russia LLC
Truda 174,
454080 Chelyabinsk.
Tel.: +7 (351) 214 5566 / 8811 / 1516

East Africa

Saikang Medical Solutions Ltd.
Viraj Complex Unit 3, Mombasa
Road, P.O. Box 14262-00800, Nairobi.
Kenya.
Tel.: +254 733 704 690

Middle East

Saikang Medical Supplies LLC
X22-S03 England Cluster,
International City, Dubai.
United Arab Emirates.
Tel.: +20 128 8962497

SKSurgitech™
by Saikang Medical

Jiangsu Saikang Medical Equipment Co., Ltd.
STOCK CODE: 870098

📍 No. 35, Lehong Road · Zhangjiagang (Jiangsu) · China
☎️ +86 18021231901 · 📞 24/7
✉️ export@sksurgitech.com
🌐 www.sksurgitech.com



Company video



General catalogue