



# AM053C-1

## MANUAL OPERATING TABLE

Registration code: SKF-C



**SAIKANG** Medical

Healthier  
your life

# AM053C-1

## FEATURES AND HIGHLIGHTS

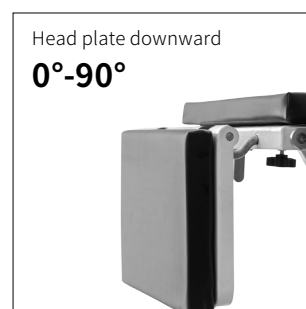
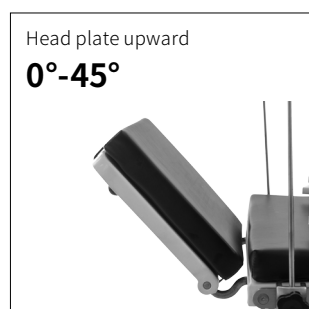
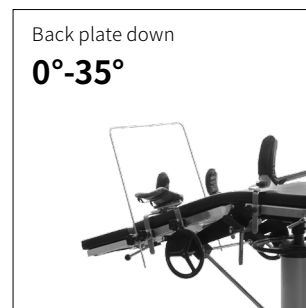
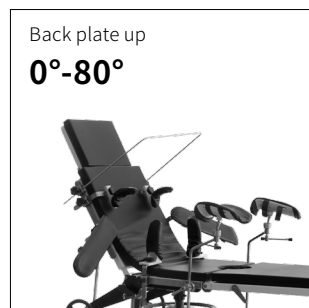
### Technical parameters

▪ External size (LxWxH):	2000x480x(700-960)mm
▪ Head plate up/down:	45°/90°
▪ Back plate up:	0-80°
▪ Leg plate down:	0-90°
▪ Safe working load:	150kg
▪ X-rays translucent:	NO
▪ C-arm compatible:	NO
▪ Multi-functional orthopedic frame:	YES

### Technical configuration

<input checked="" type="checkbox"/> Arm support	2 pcs
<input checked="" type="checkbox"/> Leg support	2 pcs
<input checked="" type="checkbox"/> Body Support	2 pcs
<input checked="" type="checkbox"/> Shoulder Support	2 pcs
<input checked="" type="checkbox"/> Anaesthetic Screen	1 pc

### Professional functions



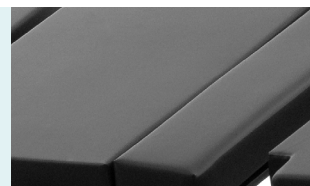
**Material**

Base structure is made of high-quality 304 stainless steel, robot welded with high strength and modern appearance. Table top is made of steel through epoxy painting, ASTM testing anti-bacterial.



**Mattress**

Removable memory mattress. Good resilience, anti-static, antibacterial, impact resistant.



**Control System**

All the functions are manual controlled by screw and rack.



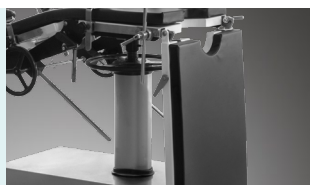
**Structure**

Full mechanical structure. Simple maintenance, low failure rate.



**Leg board**

Leg board can be folded down by adjusting the small handle. Leg board down: max. to 90°.



**Armrest**



**Anesthesia Frame**



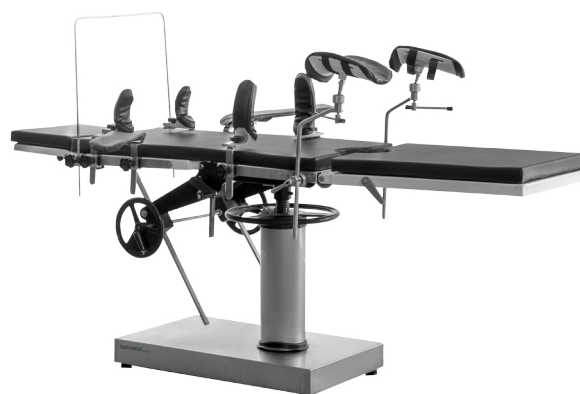
**Leg Crutches**



**Shoulder Support**

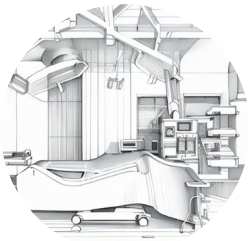


**Body Supporter**





## CONSTANT INNOVATION



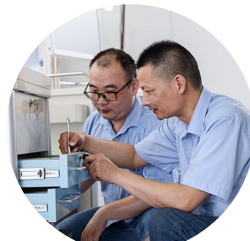
Design



Research



Manufacturing



Maintenance



Service



## WORLDWIDE BRANCHES

### South America Branch

**Saikang Medical Technology, Inc**  
W3400 Corrientes, Argentina  
TEL: +55 (11) 2758-0438  
Rua Universal, Hollywood,  
São Bernardo do Campo,  
Brazil  
TEL: +55 (11) 2758-0438

### East Africa Branch

**Saikang Medical Technology Ltd**  
Mezzanine Floor, Taj Tower,  
upper hill, nairobi, Kenya  
TEL: +254714084806

### South East Asia Branch

**Saikang Medical Technology Ltd**  
Sala Thammasop Subdistrict  
Thawi  
Watthana District  
Bangkok Thailand  
TEL: +66 642741046

### UK Branch

**Uk Healthward International Limited**  
DEPT 111,  
196 High Road Wood Green,  
London, N22 8HH  
United Kingdom  
TEL: +31 (0) 202111106

### Russia Branch

**LLC 'SAIKANG'**  
454004, Russian Federation,  
Chelyabinsk,  
Universitetskaya  
Naberezhnaya, Russia  
TEL: +7 (919)300-00-06

### Mid East Branch

**Saikang Medical Supplies (Mid East) LLC**  
Musaffah  
P.O Box 53200, Abu Dhabi,  
UAE  
Tel: +971 585710652

# SAIKANG / Medical

Jiangsu Saikang Medical Equipment Co., Ltd.  
STOCK CODE: 870098

📍 No. 35, Lehong Road · Zhangjiagang (Jiangsu) · China

☎️ +86 18021231901 · 🕒 24/7

✉️ sales@saikangmedical.com

🌐 www.saikangmedical.com



Company video



General catalogue