



AM051C-2

OPERATING TABLE

Registration code: SKT-C

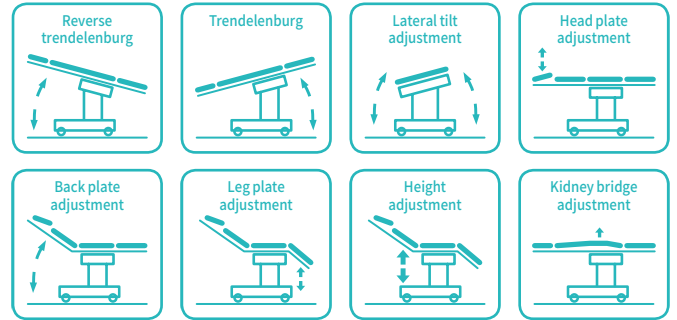


SAIKANG / Medical

Healthier
your life

AM051C-2

FEATURES AND HIGHLIGHTS

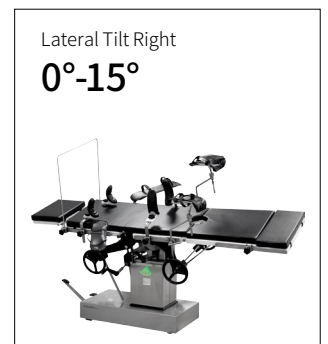
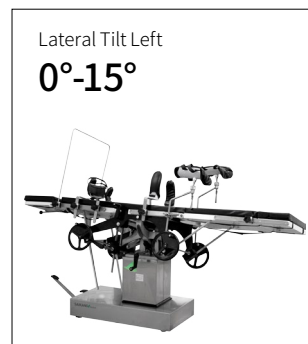
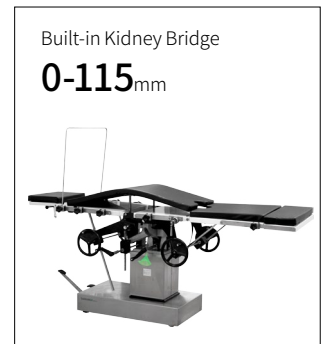
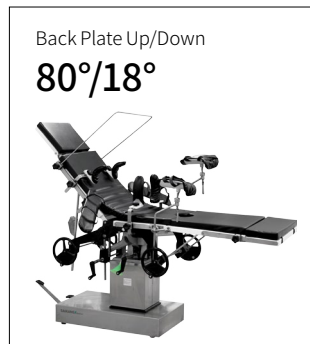


Technical parameters

External Size (LxWxH)	2000x480x790-1040 mm
Built-in Kidney Bridge	0-115 mm
Back Plate Up/Down	80°/18°
Head Plate Up/Down	45°/90°
Trendelenburg/Reverse Trendelenburg	20°/30°
Lateral Tilt Left/Right	15°/15°
Leg Plate Down	90°
Patient Weight Capacity	200 kg

Technical configuration

<input checked="" type="checkbox"/> Anesthesia Screen Frame	1pc
<input checked="" type="checkbox"/> Mattress	1set
<input checked="" type="checkbox"/> Kidney Bridge Handle	1pc
<input checked="" type="checkbox"/> Arm Support with Cushion	2pcs
<input checked="" type="checkbox"/> Leg Support with Cushion	2pcs
<input checked="" type="checkbox"/> Shoulder Support with Cushion	2pcs
<input checked="" type="checkbox"/> Body Support with Cushion	2pcs



Application

Various actions are controlled by hydraulic pneumatic system and mechanical driven system, all the adjustments of the table are performed on both sides of the table.

**Material**

The tabletop and outer cover can use carbon steel with plastic spraying or high quality stainless steel, based on your needs.

**Control System**

Foot treadle brake device which is easily for moving operating table.

**Built-In Kidney Bridge**

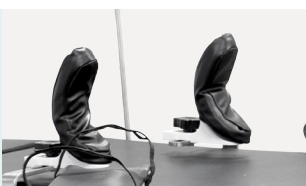
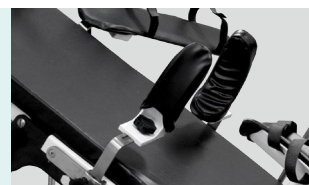
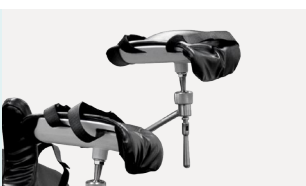
Built-In kidney bridge, more convenient and nice appearance.

**Hydraulic**

Foot step hydraulic elevating, Imported Y type sealing ring and is durable.

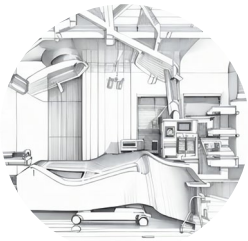
**Mattress**

The mattress is wrapped with imported artificial leather. High-density memory sponge is formed in one piece, with no seam.

**Shoulder Support with Cushion****Anesthesia Screen Frame****Arm Support with Cushion****Body Support with Cushion****Leg Support with Cushion**



CONSTANT INNOVATION



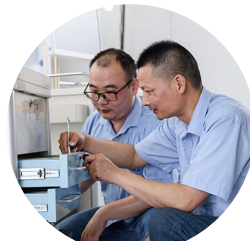
Design



Research



Manufacturing



Maintenance



Service



WORLDWIDE BRANCHES

USA

Saikang Medical Technology, Inc.
17800 Castleton St Ste 180,
City of Industry, 91748, California.
Tel.: +1 949648 2776

United Kingdom

UK Healthward International Ltd.
Dept. 111, 196 High Road Wood
Green, N22 8HH, London.
Tel.: +44 2032399738

Russia

Saikang Medical Russia LLC
Truda 174,
454080 Chelyabinsk.
Tel.: +7 (351) 214 5566 / 8811 / 1516

East Africa

Saikang Medical Solutions Ltd.
Viraj Complex Unit 3, Mombasa
Road, P.O. Box 14262-00800, Nairobi.
Kenya.
Tel.: +254 733 704 690

Middle East

Saikang Medical Supplies LLC
X22-S03 England Cluster,
International City, Dubai.
United Arab Emirates.
Tel.: +20 128 8962497

SAIKANG / Medical

Jiangsu Saikang Medical Equipment Co., Ltd.
STOCK CODE: 870098

📍 No. 35, Lehong Road · Zhangjiagang (Jiangsu) · China

☎ +86 18021231901 · 🕒 24/7

✉ sales@chinasaikang.com

🌐 www.saikangmedical.com



Company video



General catalogue