

CELEBRATING
ANNIVERSARY

22nd

· 2002-2024 ·



Healthier your life

Alnno X71

MEDICAL BRIDGE
CEILING PENDANT

www.saikangmedical.com

SAIKANG / Medical®

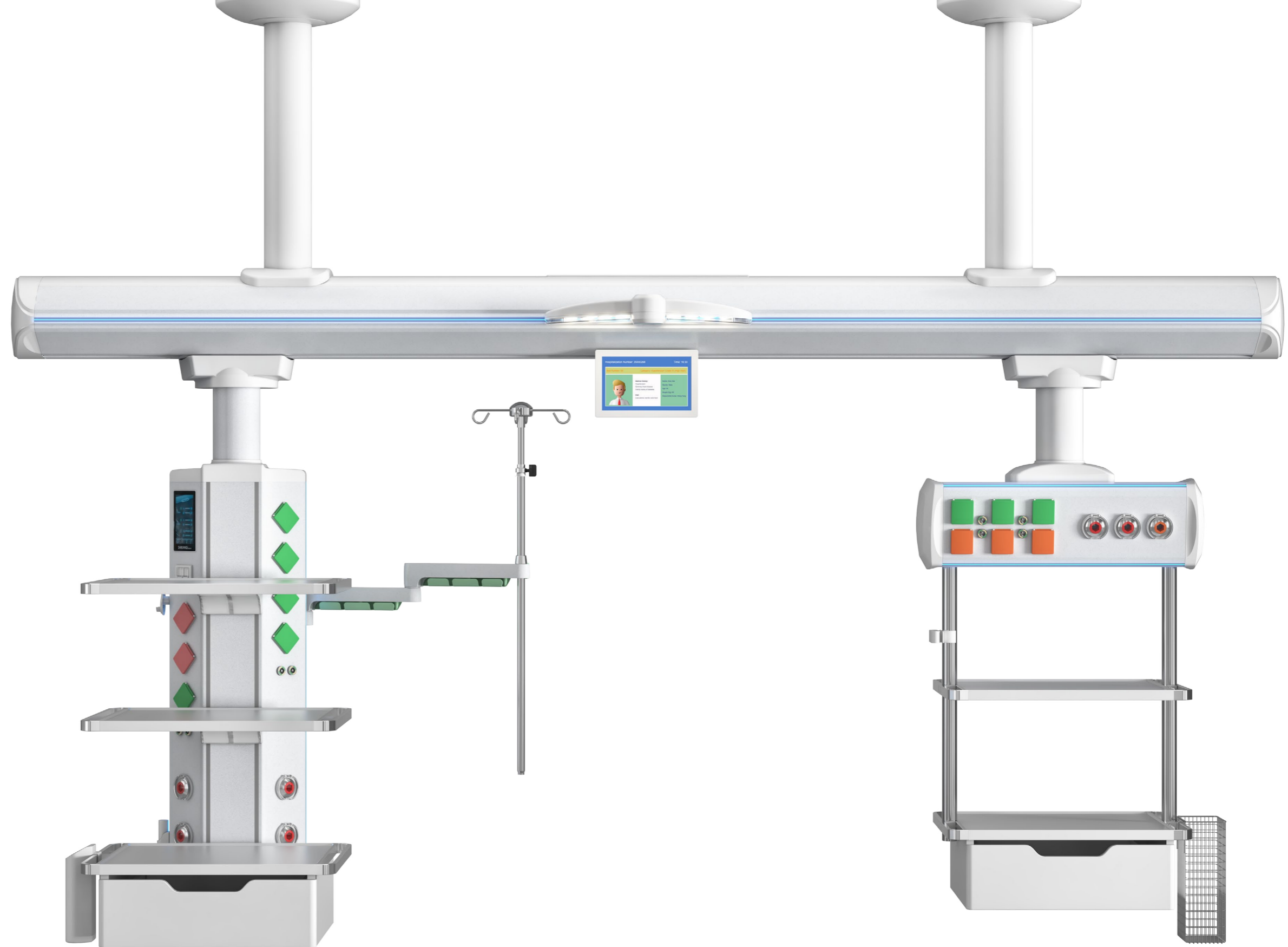
Alno X71

WORKSPACES THAT
BRING HEALING,
CARE, AND COMFORT
INTO SYNC

MEDICAL BRIDGE CEILING PENDANT (SEPARATE WET AND DRY AREAS)

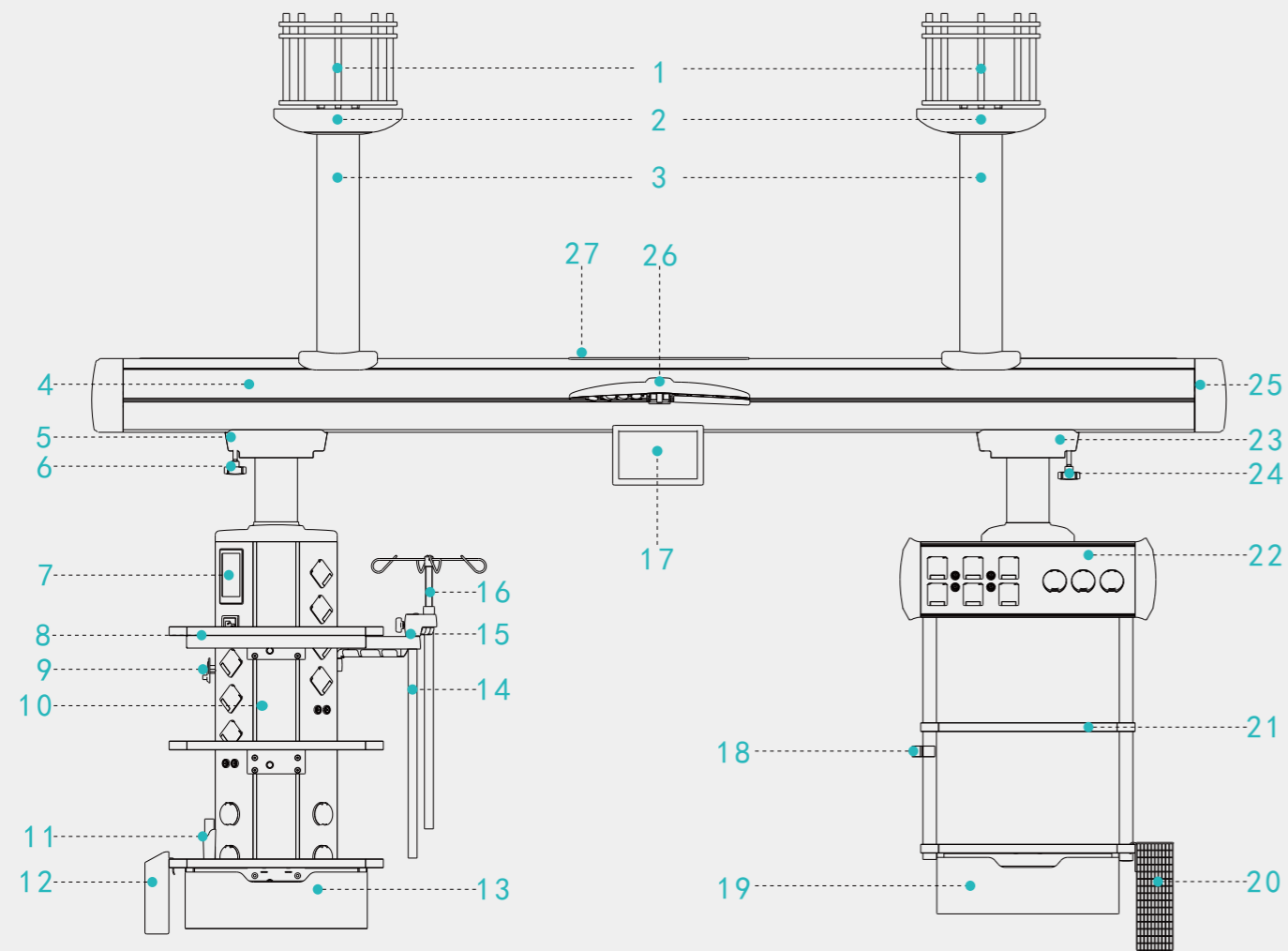
With the continuous improvement of medical levels, people pay more attention to efficient clinical workflow. SAIKANG innovation integrates high-end technology with ergonomic design.

It develops a new generation of medical supply unit Alno series, providing an efficient, easy-to-use and safe operating room and ICU room environment.



The Alno X71 ICU medical bridge ceiling pendant(separate wet and dry areas) is a medical rescue auxiliary equipment

PROFILE OVERVIEW

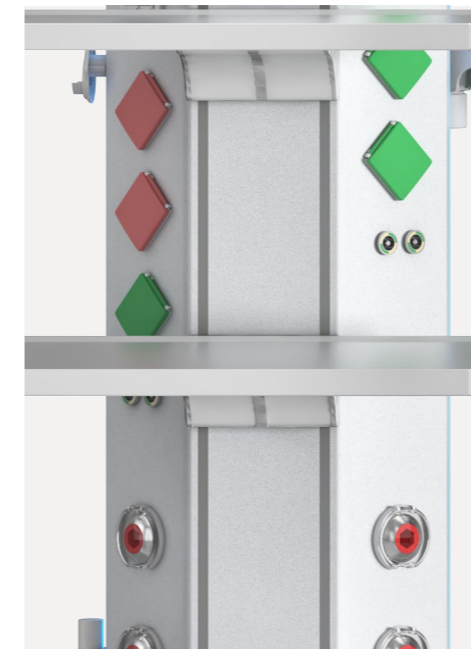


- | | | |
|--------------------------------------|---------------------------------|---|
| 1. Mounting bracket | 10. Functional box | 19. Drawer with Tray |
| 2. Ceiling cover (connection flange) | 11. Flashlight holder | 20. Stainless steel mesh basket |
| 3. Load-bearing column | 12. Catheter placement box | 21. Trays |
| 4. Transverse suspension system | 13. Drawer with tray | 22. Functional box |
| 5. Left slide system | 14. Infusion pump mounting rod | 23. Right slide system |
| 6. Left slide locking handle | 15. Swivel arm | 24. Right slide locking handle |
| 7. Function touch screen | 16. IV pole | 25. Transverse suspension beam end caps |
| 8. Tray with keyboard drawer | 17. Patient information display | 26. Lighting system |
| 9. Stethoscope hangers | 18. Wire Harness Organizer | 27. Canopy light |

PRODUCT INTRODUCTION

FEATURES

1. There are multi-layer instrument platforms in wet (gas) and dry (electric) areas
2. The height of drawers can be adjusted
3. With retractable IV pole, with four hooks
4. The function columns and cabinets built in rotation limit device to prevent the drift
5. Design patent



WET (GAS) AND DRY (ELECTRIC) SEPARATION STRUCTURE

The dry section is equipped with power supply and network ports. The wet section is equipped with infusion pump frame and gas port; gas and electric are separately arranged, prevent electric arc from contacting gas.

MATERIAL AND PROCESS

Appearance Design

Featuring a modern streamlined design that meets hospital laminar flow requirements, it is lightweight and aesthetically pleasing; it saves floor space with a fully sealed design, no sharp corners, and prevents collisions.

Painting

Utilizes imported Akzo antibacterial powder with electrostatic spraying. The tower has undergone neutral salt spray testing with a rating of ≥ 10 , ensuring durability and corrosion resistance.

Welding

Automated robotic welding provides 360° coverage.

Material

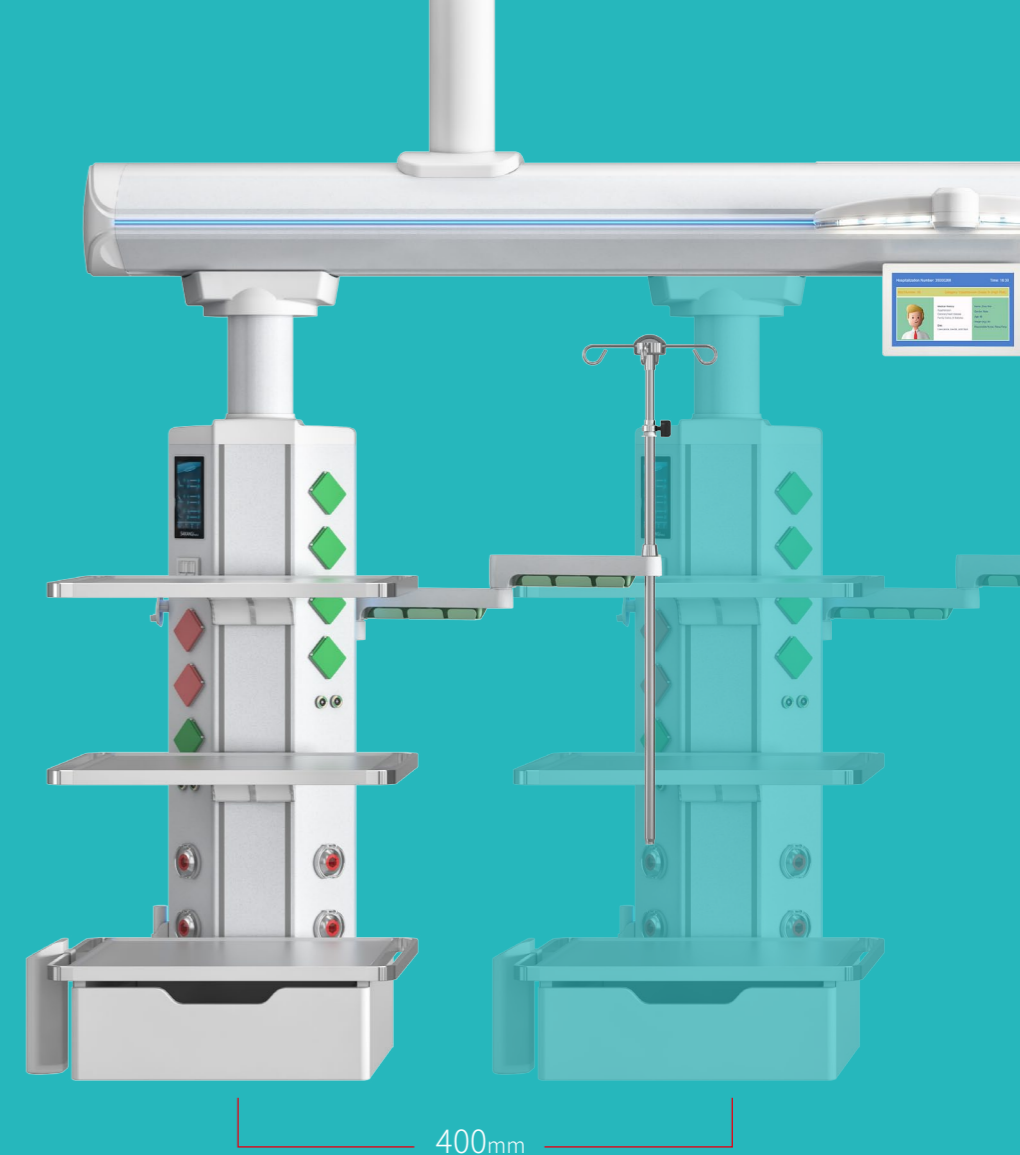
Made of 6 series high-strength aluminum alloy, processed to T6 grade. The tensile strength is $>275\text{MPa}$, and yield strength is $>230\text{MPa}$. The displacement under full load is $\leq 25\text{mm}$, with a net load capacity of $\geq 200\text{kg}$. One-step extrusion molding and primary oxidation treatment effectively reduce shaking and unstable factors, and improve accuracy and safety in use.



400_{mm}

ELECTRIC TRANSLATION SYSTEM

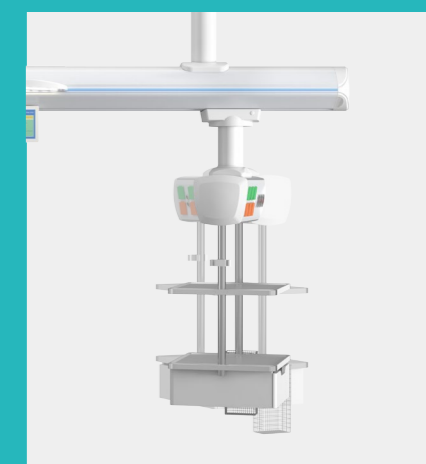
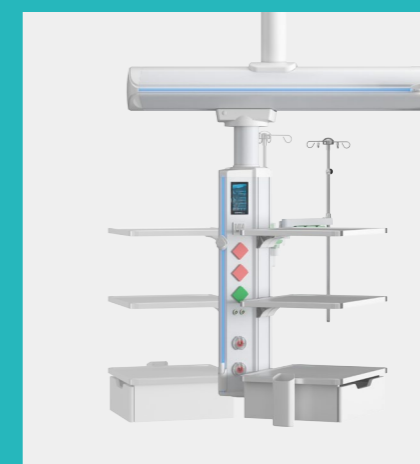
Automatic braking, safe and reliable; one-hand portable release, easy to operate with flexibility, with a lateral movement distance of 400mm; lateral movement in dry and wet areas, precise positioning without drift, meeting multi-directional care needs.



340°

SUSPENSION SYSTEM

Both the tower and arms can rotate 340°, with built-in limit devices to prevent drift.



ZONE LIGHTING

Integrated ICU lighting solution with head lighting, body lighting, and reading lighting. The brightness of top lighting, floor lighting, and contour lighting is adjustable, allowing for flexible combinations to meet different scenarios, facilitating nighttime observation and operations for medical staff. One-touch operation through a touch control panel enables smart and convenient management and control.



Head Lighting



Body Lighting



Reading Lighting



Ambient Lighting



Floor Lighting



Contour Lighting

PATIENT BED INFORMATION DISPLAY

The bridge is equipped with a built-in bed information display that provides medical staff with real-time access to patient data. This system enables healthcare providers to monitor vital signs, medical history, and treatment progress from a centralized location, improving both communication and work efficiency. By offering easy, immediate access to critical information, the display helps enhance patient care and supports timely decision-making.



REAL-TIME UPDATES HD DISPLAY



ORGANIZE PUT THINGS AWAY

INSTRUMENT PLATFORM

The all-aluminum alloy panel is formed in one piece, with high strength, easy to disinfect and clean, and no risk of rust; platform size: 530×500mm, adjustable, and load-bearing $\geq 60\text{KG}$;



CABLE MANAGEMENT

The side of the box features an internal power supply for both strong and weak electricity, allowing for convenient access to power. The hub allows for excess cable storage, reflecting 6S site management principles for a neat and organized setup.



DRAWER

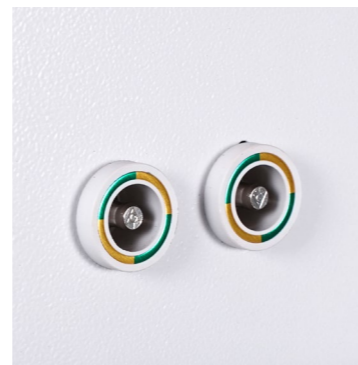
Silent self-priming slide rails remain smooth after 10,000 push-pull tests, built-in sensor drawer lights for easy use.



MEDICAL GAS

Convenient storage

Waterproof, dustproof, and dirt-resistant design. The power terminal is made of one-piece ABS, available in orange and green to prevent misconnection. The gas terminal is transparently sealed with three status indicators (on, off, unplugged). The sockets can withstand over 20,000 insertions/removals and allow for gas maintenance.



Equipped with a stethoscope holder, an infrared LED flashlight for examination, and a storage box for suction tubes, all conforming to the 6S positioning standards for clinical accessories.

Reduces indirect contact voltage and potential differences between different metal components.

DETAILED PARAMETERS

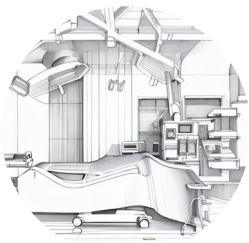
Model	Alno X70
Operating power supply	AC220V, 50Hz
Input power	6KVA
Base length	600mm
Bridge body length	3000mm
Connection column length	200mm
Vertical+Horizontal box length	1000mm+600mm
Rotation angle	340°
Hanging bridge load-bearing capacity	300kg
Instrument platform load-bearing capacity	50kg
Protection class	IP20
Fire protection class	UL94-V0
Functional columns	2 pcs
Rotary hanging arm	2 pcs
Damping brake	2 sets
Medical gas (O ²)	4 pcs
Medical gas (AIR)	2 pcs
Medical gas (negative pressure VAC)	4 pcs
Instrument platform	3 layers + 2 layers
Power outlets	12 pcs (220V/10A)
Equipotential grounding terminals	6pcs
Drawers	2 pcs
Network interface RJ45	2 pcs
Telescopic IV stand	2 pcs

OPTIONAL ACCESSORIES

- Basket – stainless steel basket
- Medical gas outlets: British standard, American standard, German standard, French standard, Japanese standard, etc.
- Different standards for medical gas outlets and adapters: British standard, French standard, German standard, Diss, Ohmeda, Chemetron, etc.
- Inhaler – various oxygen inhalers (disposable, simple, external, etc.)
- Waste liquid collection device (external)
- Extension arm
- Cable concentrator
- Stethoscope: 1 pc
- Flashlight: 1 pc



CONSTANT INNOVATION



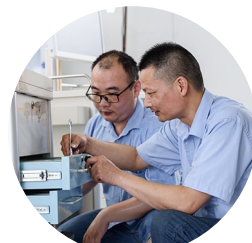
Design



Research



Manufacturing



Maintenance



Service

WORLDWIDE BRANCHES

South America Branch

Saikang Medical Technology, Inc

W3400 Corrientes, Argentina
TEL: +55 (11) 2758-0438
Rua Universal, Hollywood,
São Bernardo do Campo,
Brazil
TEL: +55 (11) 2758-0438

East Africa Branch

Saikang Medical Technology Ltd

Mezzanine Floor, Taj Tower,
upper hill, nairobi, Kenya
TEL: +254714084806

South East Asia Branch

Saikang Medical (Philippines) Company Limited

Manila, The Philippines
TEL: +63 953 044 7864

US Branch

Healthward Technology, INC

17800 CASTLETON ST STE
180.
CITY OF INDUSTRY CA 91748
TEL: +1 (603)416-3063

Russia Branch

LLC 'SAIKANG'

454004, Russian Federation,
Chelyabinsk,
Universitetskaya
Naberezhnaya, Russia
TEL: +7 (919)300-00-06

Mid East Branch



Saikang Medical Supplies (Mid East) LLC

Musaffah
P.O Box 53200, Abu Dhabi,
UAE
Tel: +971 585710652

SAIKANG / Medical

Jiangsu Saikang Medical Equipment Co., Ltd.
STOCK CODE: 870098

 No. 35, Lehong Road · Zhangjiagang (Jiangsu) · China

 +86 18021231901 ·  24/7

 export@saikangmedical.com

 www.saikangmedical.com



Company video



General catalogue