

CELEBRATING
ANNIVERSARY

22nd

· 2002-2024 ·



Healthier your life

AInno X22

DOUBLE-ARM
PENDANT

www.saikangmedical.com

SAIKANG / Medical®

Alno X22

WORKSPACES THAT
BRING HEALING,
CARE, AND COMFORT
INTO SYNC

DOUBLE -ARM PENDANT

With the continuous improvement of medical levels, people pay more attention to efficient clinical workflow. SAIKANG innovation integrates high-end technology with ergonomic design.

It develops a new generation of medical supply unit Alno series, providing an efficient, easy-to-use and safe operating room and ICU room environment.

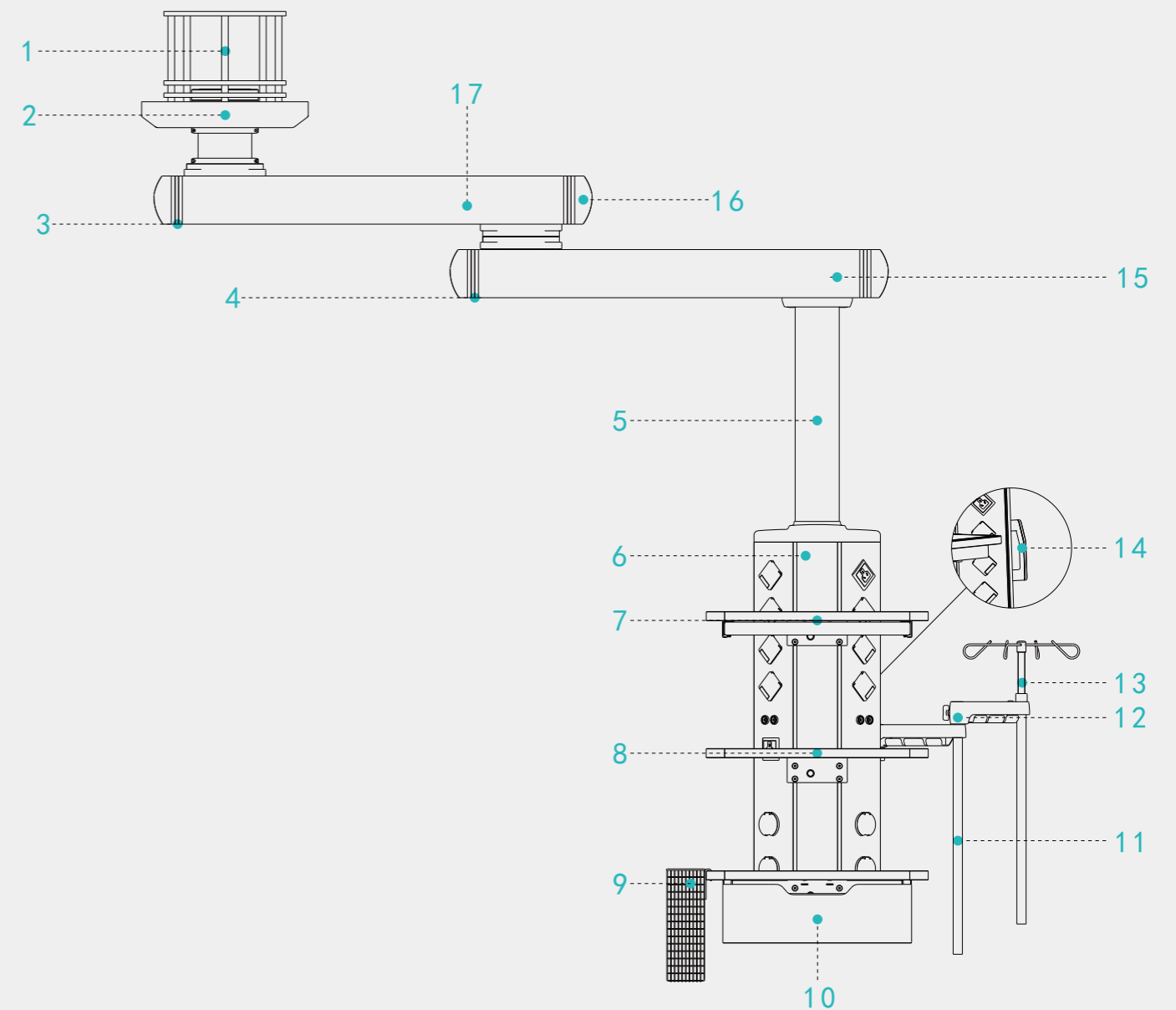
The Alno X22 dual-arm pendant features a lightweight and minimalist design, providing flexible operation and covering a larger treatment radius. It is compatible with various medical devices, saving space and enhancing operational efficiency in the operating room.



Suitable for emergency department, operating room, and ICU.

Utility Model Patent

PROFILE OVERVIEW



- | | | |
|---------------------------------------|--------------------------------|----------------------------------|
| 1. Mounting Bracket | 7. Tray with keyboard drawer | 13. IV pole |
| 2. Ceiling cover (connection flange) | 8. Trays | 14. Electromagnetic brake handle |
| 3. Upper swivel arm unbrake indicator | 9. Stainless steel mesh basket | 15. Lower swivel arm |
| 4. Lower swivel arm unbrake indicator | 10. Drawer with Tray | 16. Swivel arm housing |
| 5. Connecting rod | 11. infusion pump mounting rod | 17. Upper swivel arm |
| 6. Functional box | 12. Swivel arm | |

Appearance Design

The design is lightweight and simple, with flexible dual-arm that can be adjusted and positioned within a 1400mm range based on surgical and nursing needs. The overall sealed design has no sharp edges to prevent collisions while meeting hospital laminar flow requirements. The streamlined shape enhances safety.

Painting

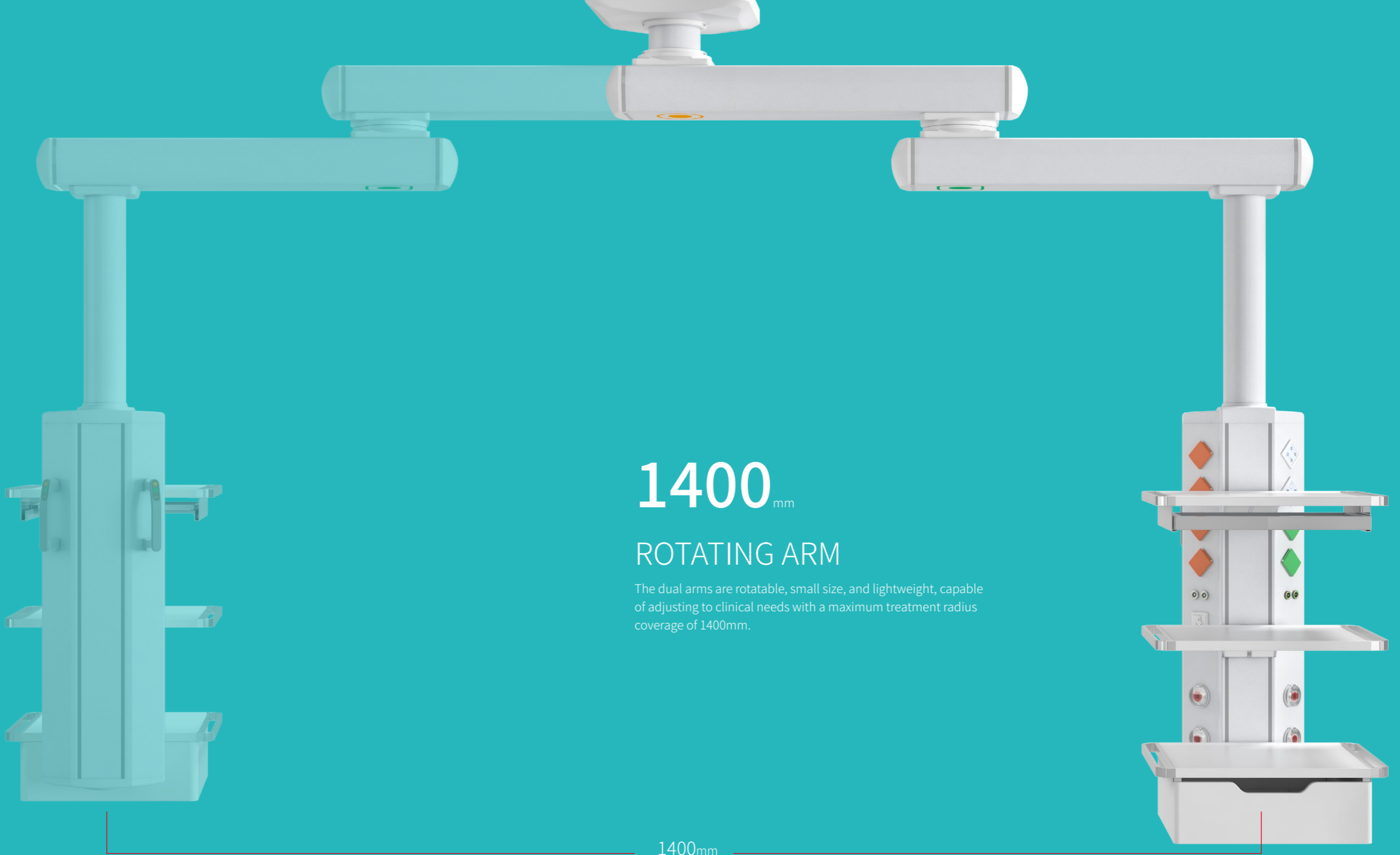
Utilizes imported Akzo antibacterial powder with electrostatic spraying. The tower has undergone neutral salt spray testing with a rating of ≥ 10 , ensuring durability and corrosion resistance.

Welding

Automated robotic welding provides 360° coverage.

Material

Made of 6 series high-strength aluminum alloy, processed to T6 grade. The tensile strength is $>275\text{MPa}$, and yield strength is $>230\text{MPa}$. The displacement under full load is $\leq 25\text{mm}$, with a net load capacity of $\geq 200\text{kg}$. One-step extrusion molding and primary oxidation treatment effectively reduce shaking and unstable factors, and improve accuracy and safety in use.



1400_{mm}

ROTATING ARM

The dual arms are rotatable, small size, and lightweight, capable of adjusting to clinical needs with a maximum treatment radius coverage of 1400mm.

1400mm



340°

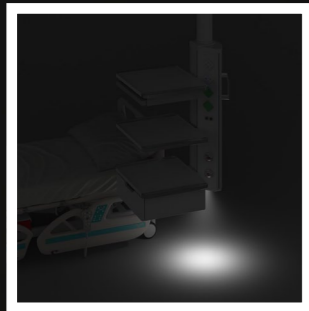
SUSPENSION SYSTEM

Both the tower and arms can rotate 340°, with built-in limit devices to prevent drift.

ZONE LIGHTING

An integrated lighting solution includes adjustable contour lights, overhead lights, and floor lights, allowing for flexible combinations to accommodate various scenarios and facilitating nighttime observation and operations by medical staff.

Ambient Lighting



Floor Lighting



Contour Lighting

ORGANIZE PUT THINGS AWAY

INSTRUMENT PLATFORM

The all-aluminum alloy panel is formed in one piece, with high strength, easy to disinfect and clean, and no risk of rust; platform size: 530×500mm, adjustable, and load-bearing ≥60KG;



BRAKING SYSTEM

The control handle features a user-friendly design, allowing remote braking with a single button for sensitive response. Brake indicators and lights for intuitive feedback, ensuring precise control.



MEDICAL GAS

Convenient storage

Waterproof, dustproof, and dirt-resistant design. The power terminal is made of one-piece ABS, available in orange and green to prevent misconnection. The gas terminal is transparently sealed with three status indicators (on, off, unplugged). The sockets can withstand over 20,000 insertions/removals and allow for gas maintenance.

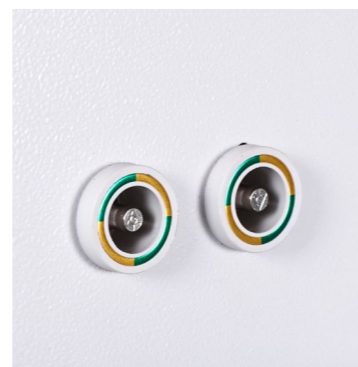


DETAILED PARAMETERS

Model	Alno X22
Operating power supply	AC220V, 50Hz
Input power	6KVA
Base length	200mm
Connection column length	600mm
Hanging arm length	800mm+600mm
Vertical box length	1000mm
Rotation angle	340°
Hanging tower load-bearing capacity	200kg
Instrument platform load-bearing capacity	50kg
Protection class	IP20
Fire protection class	UL94-V0
Functional columns:	1 pc
Rotary hanging arm	2 pcs
Electromagnetic brake	2 sets
Medical gas (O ²)	2 pcs
Medical gas (Suction)	1 pc
Medical gas (negative pressure VAC)	2 pcs
Instrument platform	3 layers
Power outlets	8 pcs
Network interface RJ45	2 pcs
Equipotential grounding terminals	4 pcs
Drawers	1 pc

DRAWER

Silent self-priming slide rails remain smooth after 10,000 push-pull tests, built-in sensor drawer lights for easy use.



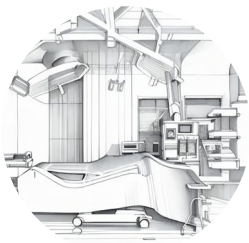
Reduces indirect contact voltage and potential differences between different metal components.

OPTIONAL ACCESSORIES

- Medical gas outlets: British standard, American standard, German standard, French standard, Japanese standard, etc.
- Different standards for medical gas outlets and adapters: British standard, French standard, German standard, Diss, Ohmeda, Chemetron, etc.
- Negative pressure regulating valve
- Network interface RJ45
- Basket – stainless steel basket
- Telescopic IV stand
- Waste liquid collection device (external)
- Extension arm
- Aspirator box: 1 pc
- Telescopic IV stand: 2 pcs
- Keyboard drawer
- Floor lamp, contour lamp and their control circuits
- Flashlight storage box
- Flashlight
- Drawer divider box



CONSTANT INNOVATION



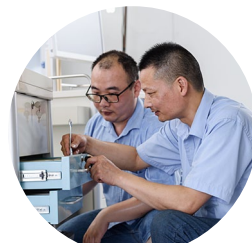
Design



Research



Manufacturing



Maintenance



Service

WORLDWIDE BRANCHES

South America Branch

**Saikang Medical
Technology, Inc**
 W3400 Corrientes, Argentina
 TEL: +55 (11) 2758-0438
 Rua Universal, Hollywood,
 São Bernardo do Campo,
 Brazil
 TEL: +55 (11) 2758-0438

East Africa Branch

**Saikang Medical
Technology Ltd**
 Mezzanine Floor, Taj Tower,
 upper hill, nairobi, Kenya
 TEL: +254714084806

South East Asia Branch

**Saikang Medical
(Philippines) Company
Limited**
 Manila, The Philippines
 TEL: +63 953 044 7864

US Branch

**Healthward
Technology, INC**
 17800 CASTLETON ST STE
 180,
 CITY OF INDUSTRY CA 91748
 TEL: +1 (603)416-3063

Russia Branch

LLC 'SAIKANG'
 454004, Russian Federation,
 Chelyabinsk,
 Universitetskaya
 Naberezhnaya, Russia
 TEL: +7 (919)300-00-06

Mid East Branch

**Saikang Medical Supplies
(Mid East) LLC**
 Musaffah
 P.O Box 53200, Abu Dhabi,
 UAE
 Tel: +971 585710652

SAIKANG / Medical

Jiangsu Saikang Medical Equipment Co., Ltd.
 STOCK CODE: 870098

 No. 35, Lehong Road · Zhangjiagang (Jiangsu) · China

 +86 18021231901 ·  24/7

 export@saikangmedical.com

 www.saikangmedical.com



Company video



General catalogue