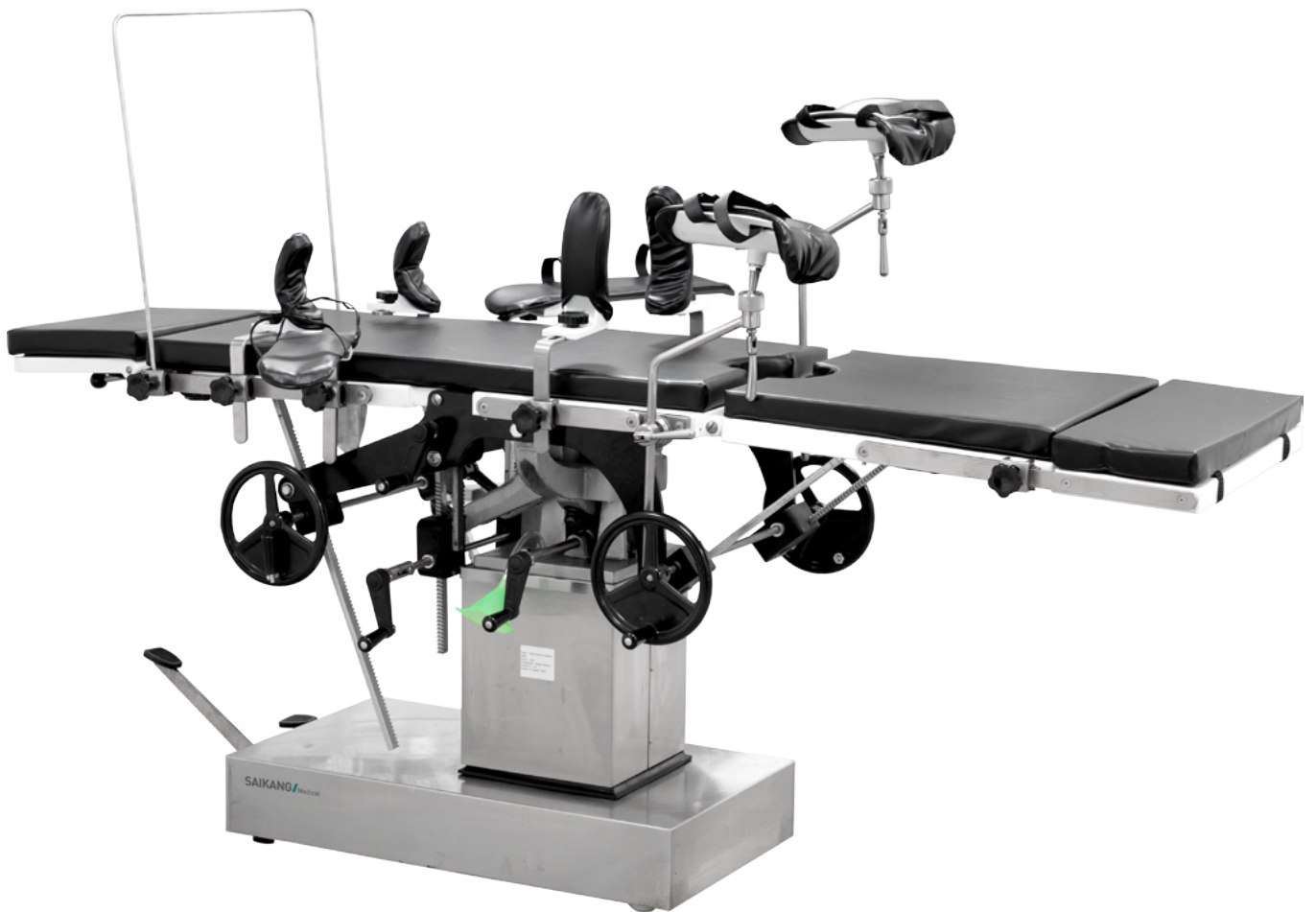




# A3001

## OPERATING TABLE

Registration code: SKT-C

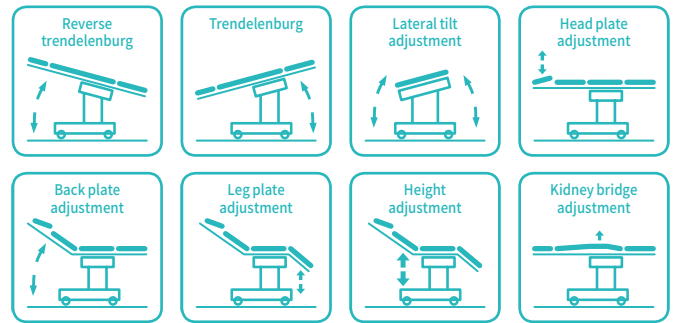


**SAIKANG** / Medical

Healthier  
your life

# A3001

## FEATURES AND HIGHLIGHTS

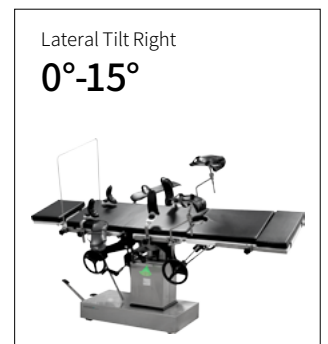
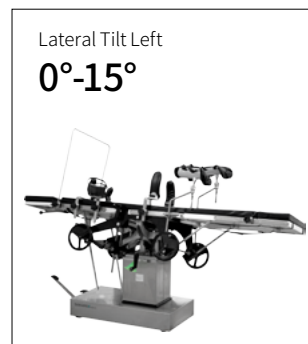
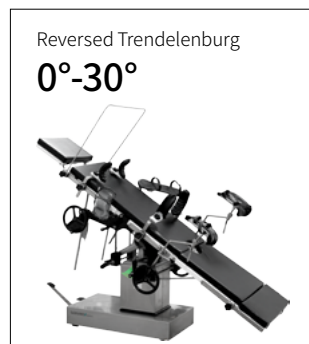
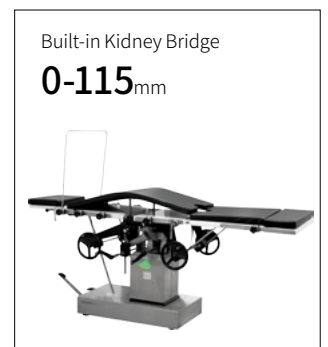
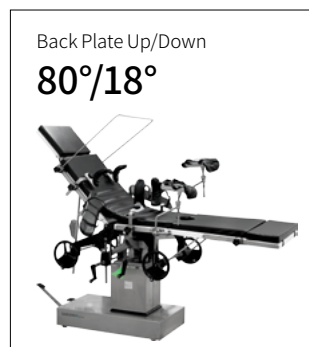


### Technical parameters

▪ External Size (LxWxH)	2000x480x790-1040 mm
▪ Built-in Kidney Bridge	0-115 mm
▪ Back Plate Up/Down	80°/18°
▪ Head Plate Up/Down	45°/90°
▪ Trendelenburg/Reverse Trendelenburg	20°/30°
▪ Lateral Tilt Left/Right	15°/15°
▪ Leg Plate Down	90°
▪ Patient Weight Capacity	200 kg

### Technical configuration

<input checked="" type="checkbox"/> Anesthesia Screen Frame	1pc
<input checked="" type="checkbox"/> Mattress	1set
<input checked="" type="checkbox"/> Kidney Bridge Handle	1pc
<input checked="" type="checkbox"/> Arm Support with Cushion	2pcs
<input checked="" type="checkbox"/> Leg Support with Cushion	2pcs
<input checked="" type="checkbox"/> Shoulder Support with Cushion	2pcs
<input checked="" type="checkbox"/> Body Support with Cushion	2pcs



**Application**

Various actions are controlled by hydraulic pneumatic system and mechanical driven system, all the adjustments of the table are performed on both sides of the table.

**Material**

The tabletop and outer cover can use carbon steel with plastic spraying or high quality stainless steel, based on your needs.

**Control System**

Foot treadle brake device which is easily for moving operating table.

**Built-In Kidney Bridge**

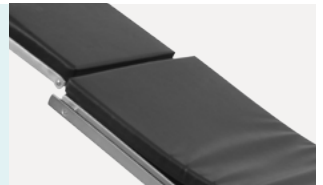
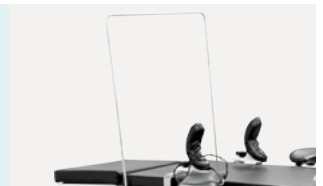
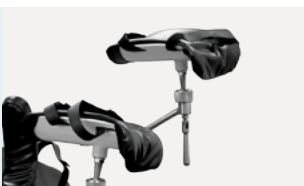
Built-In kidney bridge, more convenient and nice appearance.

**Hydraulic**

Foot step hydraulic elevating, Imported Y type sealing ring and is durable.

**Mattress**

The mattress is wrapped with imported artificial leather. High-density memory sponge is formed in one piece, with no seam.

**Shoulder Support with Cushion****Anesthesia Screen Frame****Arm Support with Cushion****Body Support with Cushion****Leg Support with Cushion**



## CONSTANT INNOVATION



Design



Research



Manufacturing



Maintenance



Service



## WORLDWIDE BRANCHES

### USA

**Saikang Medical Technology, Inc.**  
17800 Castleton St Ste 180,  
City of Industry, 91748, California.  
Tel.: +1 949648 2776

### United Kingdom

**UK Healthward International Ltd.**  
Dept. 111, 196 High Road Wood  
Green, N22 8HH, London.  
Tel.: +44 2032399738

### Russia

**Saikang Medical Russia LLC**  
Truda 174,  
454080 Chelyabinsk.  
Tel.: +7 (351) 214 5566 / 8811 / 1516

### East Africa

**Saikang Medical Solutions Ltd.**  
Viraj Complex Unit 3, Mombasa  
Road, P.O. Box 14262-00800, Nairobi.  
Kenya.  
Tel.: +254 733 704 690

### Middle East

**Saikang Medical Supplies LLC**  
X22-S03 England Cluster,  
International City, Dubai.  
United Arab Emirates.  
Tel.: +20 128 8962497

# SAIKANG / Medical

Jiangsu Saikang Medical Equipment Co., Ltd.  
STOCK CODE: 870098

📍 No. 35, Lehong Road · Zhangjiagang (Jiangsu) · China

☎ +86 18021231901 · 📞 24/7

✉ sales@chinasaikang.com

🌐 www.saikangmedical.com



Company video



General catalogue