



A3001-3

MANUAL OPERATING TABLE

Registration code: SKT-B



SKSurgitech[™]
by Saikang Medical

Care you precisely

A3001-3

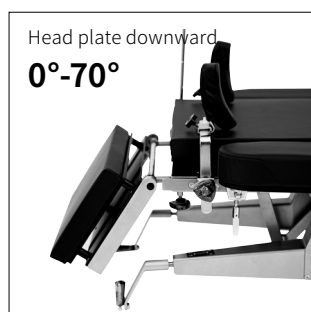
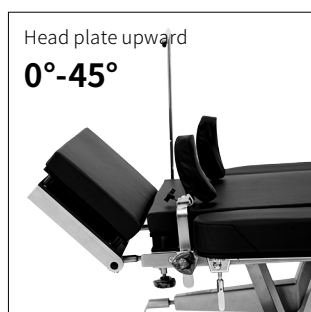
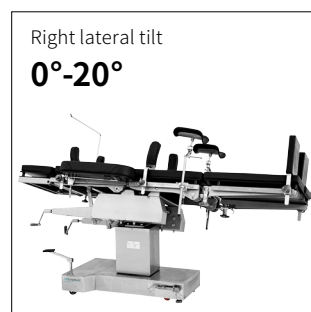
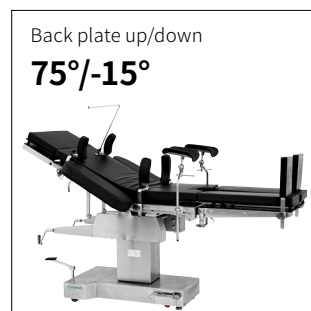
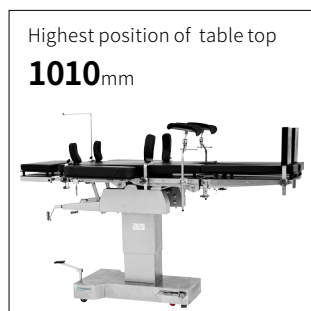
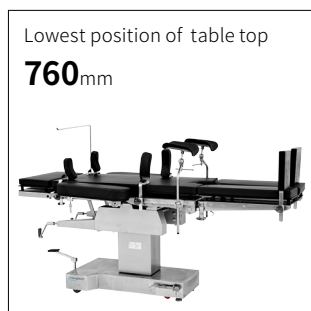
FEATURES AND HIGHLIGHTS

Technical parameters

External size (LxWxH):	2020x500x(760-1010)mm
Reverse trendelenburg/trendelenburg:	25°/25°
Lateral tilt left/right:	20°/20°
Head plate up/down:	45°/-70°
Back plate up/down:	75°/-15°
Leg plate:	90°
Kidney bridge elevation:	0-110mm
Patient weight capacity:	173kg

Technical configuration

<input checked="" type="checkbox"/> Bed frame	1pc
<input checked="" type="checkbox"/> Mattress	1set
<input checked="" type="checkbox"/> Anesthesia screen frame	1pc
<input checked="" type="checkbox"/> Shoulder holder with cushion	2pcs
<input checked="" type="checkbox"/> Arm holder with cushion	2pcs
<input checked="" type="checkbox"/> Leg support with cushion	2pcs
<input checked="" type="checkbox"/> Foot support with cushion	2pcs
<input checked="" type="checkbox"/> Kidney bridge handle	1pc



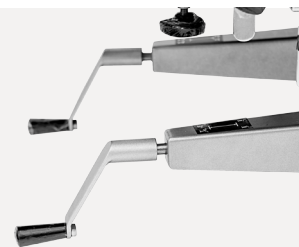
Material

The base seat and upright column covering are made of high quality 304 stainless steel, which is anti-corrosive and can be easily cleaned.



Function

Various actions are controlled by hydraulic pneumatic system and mechanical driven system, all the adjustments of the table are performed on head of the table.



Foot treadle brake device

Foot treadle brake device which is easily for moving operating table.



Special functions

With re-flexion function.



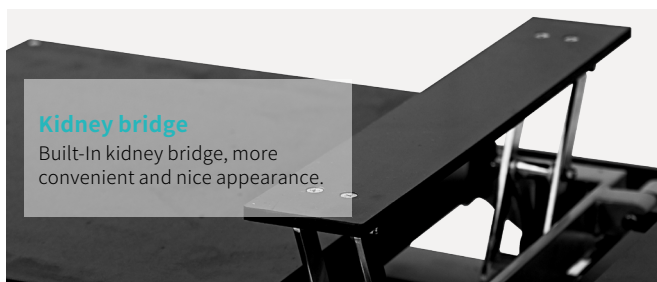
Foot step hydraulic elevating

Foot step hydraulic elevating, Imported Y type sealing ring and is durable.



Kidney bridge

Built-In kidney bridge, more convenient and nice appearance.



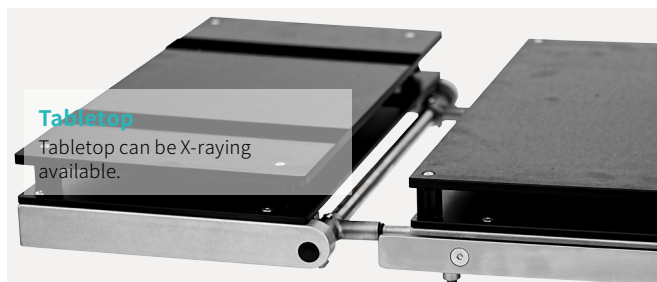
Mattress

Removable memory mattress. Good resilience, anti-static, antibacterial, impact resistant.



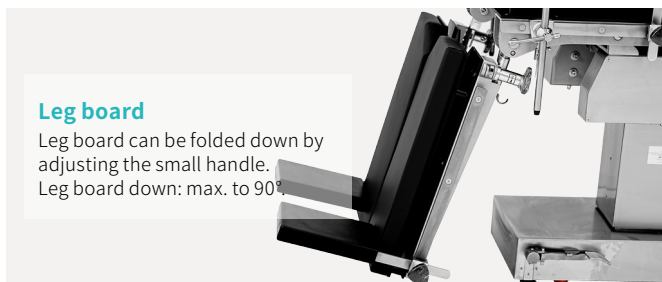
Tabletop

Tabletop can be X-raying available.



Leg board

Leg board can be folded down by adjusting the small handle. Leg board down: max. to 90°.



Accessories

Equipped with stainless steel screen frame and other various accessories.





 **CONSTANT
INNOVATION**



Design



Research



Manufacturing



Maintenance



Service

 **WORLDWIDE
BRANCHES**

USA

Saikang Medical Technology, Inc.
17800 Castleton St Ste 180,
City of Industry, 91748, California.
Tel.: +1 949648 2776

United Kingdom

UK Healthward International Ltd.
Dept. 111, 196 High Road Wood
Green, N22 8HH, London.
Tel.: +44 2032399738

Russia

Saikang Medical Russia LLC
Truda 174,
454080 Chelyabinsk.
Tel.: +7 (351) 214 5566 / 8811 / 1516

East Africa





Saikang Medical Solutions Ltd.
Viraj Complex Unit 3, Mombasa
Road, P.O. Box 14262-00800, Nairobi,
Kenya.
Tel.: +254 733 704 690

Middle East

Saikang Medical Supplies LLC
X22-S03 England Cluster,
International City, Dubai,
United Arab Emirates.
Tel.: +20 128 8962497

SKSurgitech™
by Saikang Medical

Jiangsu Saikang Medical Equipment Co., Ltd.
STOCK CODE: 870098

 No. 35, Lehong Road · Zhangjiagang (Jiangsu) · China
 +86 18021231901 ·  24/7
 export@sksurgitech.com
 www.sksurgitech.com



Company video



General catalogue