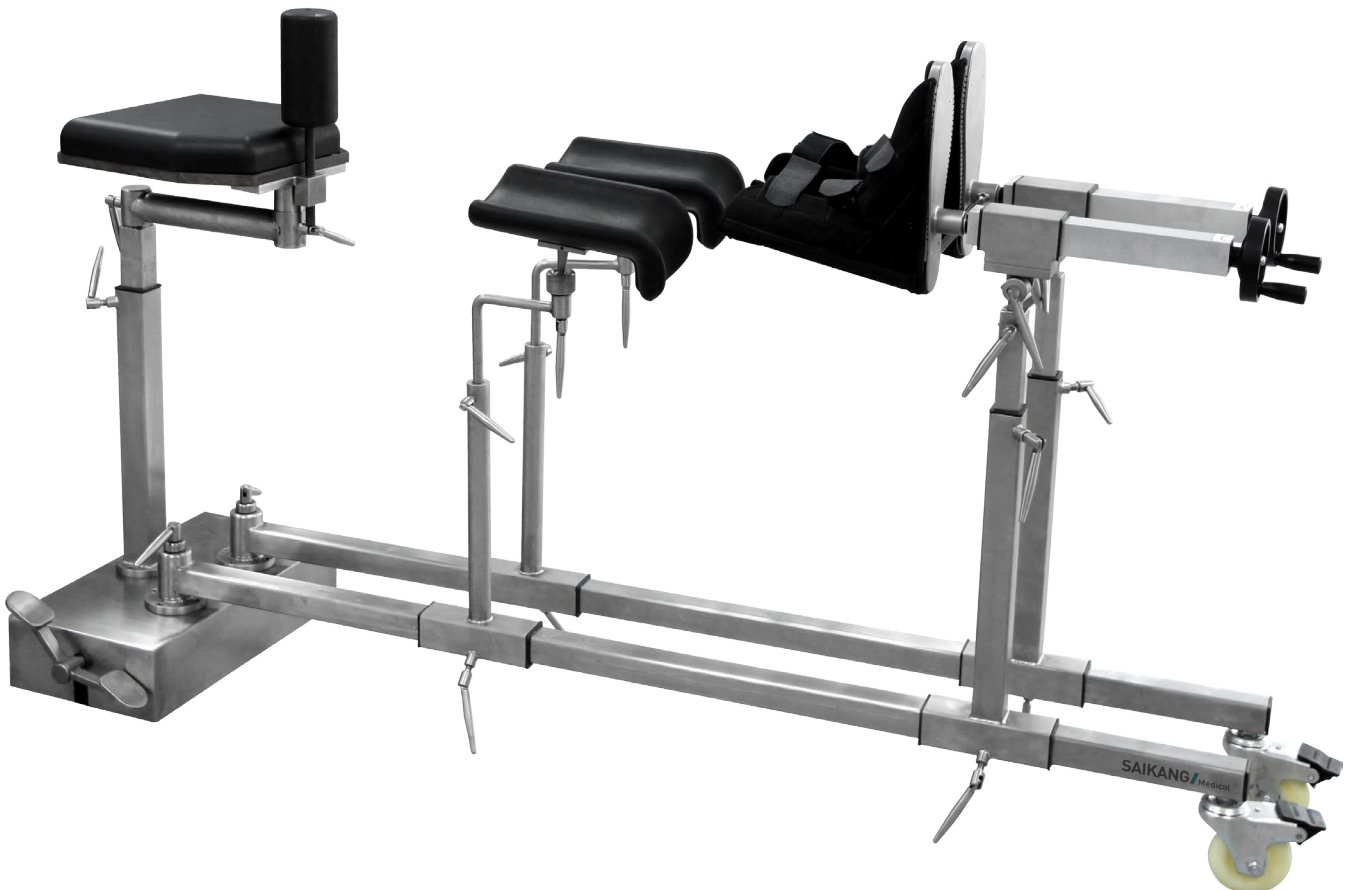




A03

MULTI-FUNCTIONAL ORTHOPEDIC FRAME

Registration code: SKT-C



SKSurgitech[™]
by Saikang Medical

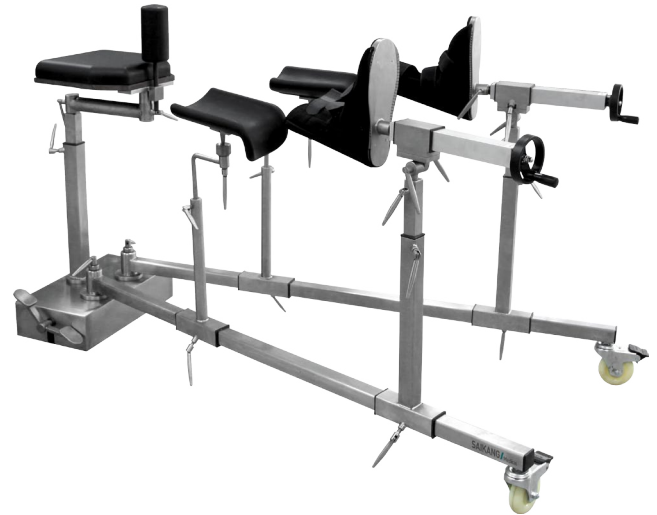
Care you precisely

A03

FEATURES AND HIGHLIGHTS

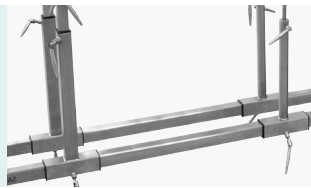
Technical parameters

▪ External Length	1700-1900 mm
▪ External Width	480 mm
▪ Table Height Min.	770 mm
▪ Table Height Max.	1020 mm
▪ Traction stroke	≥200 mm



Structural design

The main structure is made of high quality stainless steel, which is durable.



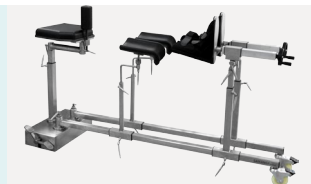
Application

During the operation, using the traction frame can make the patient easily achieve a good reduction effect, which obviously helps the operation progress of the operation.



Tow bar

The tow bar can change the angle greatly. It has a telescopic design. In addition to the 360° rotation of the fixed ankle, it can also be removed and replaced with other accessories.



Lifting column

The pelvic frame on the lifting column can also be connected to the side lying or articulated frame, which can adapt to people of different body types.



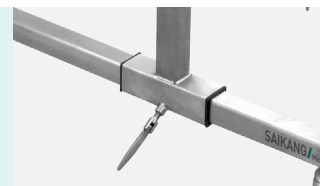
Castor

Industrial casters, foot pedal brakes, easy to move, simple to operate, reliable performance.



Sleeve tube

Long sleeve tube with adhesive strips inside, more stability.



Foot support

With scales on the foot support, makes the adjustment more intuitive.



Shoe cover

The shoe cover is easy to bind and can adapt to different sizes of feet.



Leg support

Polyurethane integrated leg support, easy to sterilize and durable.



Cushion

The cushion is wide and comfortable with large adjustment range, carbon fiber gear lever with good X-ray transparency.





CONSTANT INNOVATION



Design



Research



Manufacturing



Maintenance



Service



WORLDWIDE BRANCHES

USA

Saikang Medical Technology, Inc.
17800 Castleton St Ste 180,
City of Industry, 91748, California.
Tel.: +1 949648 2776

United Kingdom

UK Healthward International Ltd.
Dept. 111, 196 High Road Wood
Green, N22 8HH, London.
Tel.: +44 2032399738

Russia

Saikang Medical Russia LLC
Truda 174,
454080 Chelyabinsk.
Tel.: +7 (351) 214 5566 / 8811 / 1516

East Africa

Saikang Medical Solutions Ltd.
Viraj Complex Unit 3, Mombasa
Road, P.O. Box 14262-00800, Nairobi,
Kenya.
Tel.: +254 733 704 690

Middle East

Saikang Medical Supplies LLC
X22-S03 England Cluster,
International City, Dubai,
United Arab Emirates.
Tel.: +20 128 8962497

SKSurgitech™
by Saikang Medical

Jiangsu Saikang Medical Equipment Co., Ltd.
STOCK CODE: 870098

📍 No. 35, Lehong Road · Zhangjiagang (Jiangsu) · China
☎️ +86 18021231901 · 🕒 24/7
✉️ export@sksurgitech.com
🌐 www.sksurgitech.com



Company video



General catalogue